



Rapidrop Global Ltd

British Manufacturer of Fire Detection & Suppression Equipment

Product Guide
2018





Typical Sprinkler Layout	3	NEW FM, UL, VdS Butterfly Valves	32-33
Flexible Sprinkler Connection Kits	4	NEW FM, UL Threaded Butterfly Valve	34-35
Flexible Sprinkler Connections	5	NEW NRS Gate Valves - 117FF (FM/ UL /VdS)	36
Standard Response Pendent Sprinklers 15mm K80 (SSP)	6	NEW NRS GP Flanged Gate Valve BS 5163	37
Quick Response Pendent Sprinklers 15mm K80 (SSP)	7	OS&Y Gate Valves - 103FF & 103GG	38-39
Standard Response Conventional Sprinklers 15mm K80 (CUP)	8	NRS Gate Valve Assembly - 104FF	40
Quick Response Conventional Sprinklers 15mm K80 (CUP)	9	PIV Gate Valves -104FF	41
Standard Response Sprinklers Upright - 15mm K80 (SSU)	10	Switches & Gauges	42
Quick Response Sprinklers Upright - 15mm K80 (SSU)	11	Test & Drain Valves	43
Standard Response Sprinklers Pendent 20mm (K115) SSP	12	Non Return Valves	44
Quick Response Sprinklers Pendent 20mm (K115) SSP	13	Double Door Wafer Check Valves	45
Standard Response Sprinklers Upright 20mm (K115) SSU	14	Foot Valves	46
Quick Response Sprinklers Upright 20mm (K115) SSU	15	Small Bore Valves	47-49
Standard Response Sprinklers Sidewall 15mm (K80) HSW	16	Pump Initiation boards BS EN12845	50
Quick Response Sprinklers Sidewall 15mm (K80) HSW	17	Zone Assemblies	51
Commercial Concealed Sprinklers	18	Flow Meters	52-54
Commercial Flush Pendent Sprinklers	19	High Pressure Valves	55
NEW Commercial Flush Pendent Sprinklers	20-21	Cla-Val Pressure Reducing Valves	56
Residential Concealed & Flush Pendent Sprinklers	22	Cla-Val Pressure Relief Valves	57
Sprinkler Accessories	23	Cla-Val Deluge Valves	58
NEW Sprinkler Guard & Sprinkler Shields	24-25	Dry Barrel Fire Hydrant	59
Residential Sprinkler System Equipment	26	Dry / Wet Riser Equipment Cabinets	60
Wet Alarm Valve Sets	27	Dry Riser Equipment Valves	61
Wet Alarm Valve Accessories	28	Dry / Wet Riser Equipment - Galvanised Grooved Couplings	62
General Purpose Butterfly Valves (APSAD)	29	Dry / Wet Riser Equipment Accessories	63
FM & UL Butterfly Valves	30-31	Flange Joint Sets & Gaskets	64



Typical Sprinkler Layout



1. RAPIDROP FLEXIBLE

CNBOP/LPCB/UL
(no braiding SP)

RDRSP1A (780mm)
RDRSP2AS (1000mm)
RDRSP2A (1220mm)
RDRSP3A (1540mm)
RDRSP4A (1880mm)
86RSP5A (2540mm)

FM/VdS/CNBOP
(with braiding SPB)

RDRSPB1AV (780mm)
RDRSPB2AV (1220mm)
RDRSPB3AV (1540mm)
RDRSPB4AV (1880mm)
RDRSPB5AV (2540mm)

FM/LPCB
(with braiding SMB)

RDRSPB1A (780mm)
RDRSPB2AS (1000mm)
RDRSPB2A (1220mm)
RDRSPB3A (11540mm)
RDRSPB4A (1880mm)

MINIMUM RADIUS INDICATOR

RDRMRI075

6. B BRACKET (X 2)

LAY IN GRID

Pendent Head B11

RDRB11

Concealed Head B07

RDRB07

PLASTERBOARD

Pendent Head B01

RDRB01

Concealed Head B900

RDRB900

2. INLET NIPPLE

RDRNIPLER1

(25mm x 25mm)

RDRNIPLER1.1/4

(32mm x 25mm) - UK

3. OUTLET REDUCER

STRAIGHT REDUCER

RDREDR 1/2 NPT or **RDREDR 3/4 NPT**
1/2" NPT (15mm) or 3/4" NPT (20mm)

REDUCING ELBOW

RDREDELB015S or **RDREDELB020S**
1/2" NPT (15mm) or 3/4" NPT (20mm)

5. A BRACKET

RDRBA

4. SUPPORT BAR

RDRSBAR0640 (640mm)

RDRSBAR0800 (800mm)

RDRSBAR1000 (1000mm)

RDRSBAR1RD1240 (1240mm)

RDRSBAR1600 (1600mm)



Cert:LPCB/ ref. 566e/01



FLEXIBLE SPRINKLER CONNECTION KITS MODEL SP UNBRAIDED

- Kits include flexible hose, inlet nipple, outlet reducers, 1 x A bracket, 2 x B bracket & support bar up to 1 metre in length.
- **Options:**
- 170mm Reducer, 140mm Reducer,
- Reducing Elbow
- Bars 640, 800, 1000, 1240, 1600mm
- 1" or 1 1/4" Inlets
- 1/2" or 3/4" Reducer

PART NUMBER	DESCRIPTION	BOX QTY
Datasheet No 3.3 & 3.5		
RDRSP1A	780mm long Rapidrop flexible kit (LPCB approved, UL Listed)	10
RDRSP2AS	1000mm long Rapidrop flexible kit (LPCB approved, UL Listed)	10
RDRSP2A	1220mm long Rapidrop flexible kit (LPCB approved, UL Listed)	10
RDRSP3A	1540mm long Rapidrop flexible kit (LPCB approved, UL Listed)	10
RDRSP4A	1880mm long Rapidrop flexible kit (LPCB approved, UL Listed)	10
RDRSP5A	2540mm long Rapidrop flexible kit (LPCB approved, UL Listed)	10
RDRSPB1AV	780mm long Rapidrop flexible kit (FM & VDS approved)	10
RDRSP2BAV	1220mm long Rapidrop flexible kit (FM & VDS approved)	10
RDRSP3AV	1540mm long Rapidrop flexible kit (FM & VDS approved)	10
RDRSP4AV	1880mm long Rapidrop flexible kit (FM & VDS approved)	10
RDRSP5AV	2540mm long Rapidrop flexible kit (FM & VDS approved)	10
Datasheet No 3.11		
RDRSPB1A	780mm long Rapidrop flexible kit FM approved (Model RD-SMB)	10
RDRSPB2AS	1000mm long Rapidrop flexible kit (FM approved (Model RD-SMB)	10
RDRSPB2A	1220mm long Rapidrop flexible kit (FM approved (Model RD-SMB)	10
RDRSPB3A	1540mm long Rapidrop flexible kit (FM approved (Model RD-SMB)	10
RDRSPB4A	1880mm long Rapidrop flexible kit (FM approved (Model RD-SMB)	10
RDRSPB5A	2540mm long Rapidrop flexible kit (FM approved (Model RD-SMB)	10



Cert.LPCB/ ref. 566e/01



FLEXIBLE SPRINKLER CONNECTION COMPONENTS

- Full range of bars, brackets and reducers for the different ceiling applications
- Bars over 1600mm are available as special order

PART NUMBER	DESCRIPTION	BAG / BOX QTY
Datasheet No 3.5		
RDRBA	A bracket	10 / 200
RDRB01	B01 bracket - SSP head in plasterboard	20 / 400
RDRB09	B09 bracket - concealed head in plasterboard	20 / 200
RDRB900	B900 bracket - concealed head in plasterboard NEW	20 / 200
RDRB11	B11 bracket - SSP head in lay in grid ceiling	20 / 200
RDRB07	B07 bracket - concealed head in lay in grid ceiling	20 / 360
RDRB04-1E	B04-1E bracket - FM approved	20 / 360
RDRMRI075	Minimum Radius Indicator (For LPCB unbraided flexibles only)	100
RDRNIPPLER1	1" inlet nipple	10 / 100
RDRNIPPLER1.1/4	1 1/4" inlet nipple	10 / 100
RDREDR1/2NPT	1/2" reducer 110mm long	80
RDREDR3/4NPT	3/4" reducer 110mm long	80
RDREDR1/2NPT140	1/2" reducer 140mm long	80
RDREDR3/4NPT140	3/4" reducer 140mm long	80
RDREDR1/2L	1/2" reducer 170mm long	50
RDREDR1/2LTH	1/2" reducer threaded 170mm long, Inc Nut	50
RDREDELB015S	Short radius 90 degree elbow 1/2"	36
RDREDELB020S	Short radius 90 degree elbow 3/4"	36
RDREDELB015	Standard radius 90 degree elbow 1/2"	36
RDREDELB020	Standard radius 90 degree elbow 3/4"	36
RDRSBAR0640	640mm long support bar	60
RDRSBAR0800	800mm long support bar	60
RDRSBAR1000	1000mm long support bar	60
RDRSBAR1RD240	1240mm long support bar	40
RDRSBAR1600	1600mm long support bar	40



Cert/LPCB/ ref. 566d/01



MODEL: RD022

- CE, LPCB, UL, FM & VdS approved
- Spray Pendent (SSP)
- Brass, Chrome and paint finish
- Special RAL colours available on request
- Standard Response
- 5mm Bulb
- UK Manufactured



RAL Colour Match



Sprinkler Wrench

PART NUMBER	DESCRIPTION	BOX QTY
Datasheet No 4.22		
RDM022057P	½" SSP (Pendent) brass sprinkler standard response (5mm bulb) K=80, 57 degrees	100
RDM022068P	½" SSP (Pendent) brass sprinkler standard response (5mm bulb) K=80, 68 degrees	100
RDM022079P	½" SSP (Pendent) brass sprinkler standard response (5mm bulb) K=80, 79 degrees	100
RDM022093P	½" SSP (Pendent) brass sprinkler standard response (5mm bulb) K=80, 93 degrees	100
RDM022141P	½" SSP (Pendent) brass sprinkler standard response (5mm bulb) K=80, 141 degrees	100
RDM022057C	½" SSP (Pendent) chrome sprinkler standard response (5mm bulb) K=80, 57 degrees	100
RDM022068C	½" SSP (Pendent) chrome sprinkler standard response (5mm bulb) K=80, 68 degrees	100
RDM022079C	½" SSP (Pendent) chrome sprinkler standard response (5mm bulb) K=80, 79 degrees	100
RDM022093C	½" SSP (Pendent) chrome sprinkler standard response (5mm bulb) K=80, 93 degrees	100
RDM022141C	½" SSP (Pendent) chrome sprinkler standard response (5mm bulb) K=80, 141 degrees	100
RDM022057R9010	½" SSP (Pendent) white sprinkler standard response (5mm bulb) K=80, 57 degrees "	100
RDM022068R9010	½" SSP (Pendent) white sprinkler standard response (5mm bulb) K=80, 68 degrees	100
RDM022079R9010	½" SSP (Pendent) white sprinkler standard response (5mm bulb) K=80, 79 degrees	100
RDM022093R9010	½" SSP (Pendent) white sprinkler standard response (5mm bulb) K=80, 93 degrees	100
RDM022141R9010	½" SSP (Pendent) white sprinkler standard response (5mm bulb) K=80, 141 degrees	100



Cert/LPCB/ ref. 566d/02



MODEL: RD023

- CE, LPCB, UL, FM & VdS approved
- Spray Pendent (SSP)
- Brass, Chrome and paint finish
- Special RAL colours available on request
- Quick Response
- 3mm Bulb
- UK Manufactured



RAL Colour Match



Sprinkler Wrench

PART NUMBER	DESCRIPTION	BOX QTY
Datasheet No 4.22		
RDM023057P	½" SSP (Pendent) brass sprinkler quick response (3mm bulb) K=80, 57 degrees	100
RDM023068P	½" SSP (Pendent) brass sprinkler quick response (3mm bulb) K=80, 68 degrees	100
RDM023079P	½" SSP (Pendent) brass sprinkler quick response (3mm bulb) K=80, 79 degrees	100
RDM023093P	½" SSP (Pendent) brass sprinkler quick response (3mm bulb) K=80, 93 degrees	100
RDM023141P	½" SSP (Pendent) brass sprinkler quick response (3mm bulb) K=80, 141 degrees	100
RDM023057C	½" SSP (Pendent) chrome sprinkler quick response (3mm bulb) K=80, 57 degrees	100
RDM023068C	½" SSP (Pendent) chrome sprinkler quick response (3mm bulb) K=80, 68 degrees	100
RDM023079C	½" SSP (Pendent) chrome sprinkler quick response (3mm bulb) K=80, 79 degrees	100
RDM023093C	½" SSP (Pendent) chrome sprinkler quick response (3mm bulb) K=80, 93 degrees	100
RDM023141C	½" SSP (Pendent) chrome sprinkler quick response (3mm bulb) K=80, 141 degrees	100
RDM023057R9010	½" SSP (Pendent) white sprinkler quick response (3mm bulb) K=80, 57 degrees	100
RDM023068R9010	½" SSP (Pendent) white sprinkler quick response (3mm bulb) K=80, 68 degrees	100
RDM023079R9010	½" SSP (Pendent) white sprinkler quick response (3mm bulb) K=80, 79 degrees	100
RDM023093R9010	½" SSP (Pendent) white sprinkler quick response (3mm bulb) K=80, 93 degrees	100
RDM023141R9010	½" SSP (Pendent) white sprinkler quick response (3mm bulb) K=80, 141 degrees	100



Cert/LPCB/ ref. 566d/01



MODEL: RD020

- CE, LPCB, VdS approved
- Conventional (CUP)
- Brass, Chrome and paint finish
- Special RAL colours available on request
- Standard Response
- 5mm Bulb
- UK Manufactured



RAL Colour Match



Sprinkler Wrench

PART NUMBER	DESCRIPTION	BOX QTY
Datasheet No 4.18		
RD020057P	½" CUP (conventional) brass sprinkler standard response (5mm bulb) K=80, 57 degrees	100
RD020068P	½" CUP (conventional) brass sprinkler standard response (5mm bulb) K=80, 68 degrees	100
RD020079P	½" CUP (conventional) brass sprinkler standard response (5mm bulb) K=80, 79 degrees	100
RD020093P	½" CUP (conventional) brass sprinkler standard response (5mm bulb) K=80, 93 degrees	100
RD020141P	½" CUP (conventional) brass sprinkler standard response (5mm bulb) K=80, 141 degrees	100
RD020057C	½" CUP (conventional) chrome sprinkler standard response (5mm bulb) K=80, 57 degrees	100
RD020068C	½" CUP (conventional) chrome sprinkler standard response (5mm bulb) K=80, 68 degrees	100
RD020079C	½" CUP (conventional) chrome sprinkler standard response (5mm bulb) K=80, 79 degrees	100
RD020093C	½" CUP (conventional) chrome sprinkler standard response (5mm bulb) K=80, 93 degrees	100
RD020141C	½" CUP (conventional) chrome sprinkler standard response (5mm bulb) K=80, 141 degrees	100
RD020057R9010	½" CUP (conventional) white sprinkler standard response (5mm bulb) K=80, 57 degrees	100
RD020068R9010	½" CUP (conventional) white sprinkler standard response (5mm bulb) K=80, 68 degrees	100
RD020079R9010	½" CUP (conventional) white sprinkler standard response (5mm bulb) K=80, 79 degrees	100
RD020093R9010	½" CUP (conventional) white sprinkler standard response (5mm bulb) K=80, 93 degrees	100
RD020141R9010	½" CUP (conventional) white sprinkler standard response (5mm bulb) K=80, 141 degrees	100

MODEL: RD021



- CE, LPCB VdS approved
- Conventional (CUP)
- Brass, Chrome and paint finish
- Special RAL colours available on request
- Quick Response
- 3mm Bulb
- UK Manufactured



RAL Colour Match



Sprinkler Wrench

PART NUMBER	DESCRIPTION	BOX QTY
Datasheet No 4.18		
RD021057P	½" CUP (conventional) brass sprinkler quick response (3mm bulb) K=80, 57 degrees	100
RD021068P	½" CUP (conventional) brass sprinkler quick response (3mm bulb) K=80, 68 degrees	100
RD021079P	½" CUP (conventional) brass sprinkler quick response (3mm bulb) K=80, 79 degrees	100
RD021093P	½" CUP (conventional) brass sprinkler quick response (3mm bulb) K=80, 93 degrees	100
RD021141P	½" CUP (conventional) brass sprinkler quick response (3mm bulb) K=80, 141 degrees	100
RD021057C	½" CUP (conventional) chrome sprinkler quick response (3mm bulb) K=80, 57 degrees	100
RD021068C	½" CUP (conventional) chrome sprinkler quick response (3mm bulb) K=80, 68 degrees	100
RD021079C	½" CUP (conventional) chrome sprinkler quick response (3mm bulb) K=80, 79 degrees	100
RD021093C	½" CUP (conventional) chrome sprinkler quick response (3mm bulb) K=80, 93 degrees	100
RD021141C	½" CUP (conventional) chrome sprinkler quick response (3mm bulb) K=80, 141 degrees	100
RD021057R9010	½" CUP (conventional) white sprinkler quick response (3mm bulb) K=80, 57 degrees	100
RD021068R9010	½" CUP (conventional) white sprinkler quick response (3mm bulb) K=80, 68 degrees	100
RD021079R9010	½" CUP (conventional) white sprinkler quick response (3mm bulb) K=80, 79 degrees	100
RD021093R9010	½" CUP (conventional) white sprinkler quick response (3mm bulb) K=80, 93 degrees	100
RD021141W	½" CUP (conventional) white sprinkler quick response (3mm bulb) K=80, 141 degrees	100



Cert/LPCB/ ref. 566d/01



MODEL: RD024

- CE, LPCB, UL, FM & VdS approved
- Upright (SSU)
- Brass, Chrome and paint finish
- Special RAL colours available on request
- Standard Response
- 5mm Bulb
- UK Manufactured



RAL Colour Match



Sprinkler Wrench

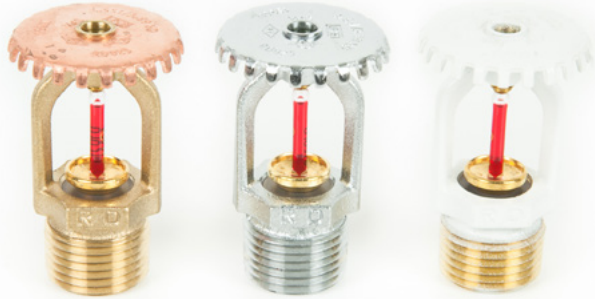
PART NUMBER	DESCRIPTION	BOX QTY
Datasheet No 4.22		
RDM024057P	½" SSU (upright) brass sprinkler standard response (5mm bulb) K=80, 57 degrees	100
RDM024068P	½" SSU (upright) brass sprinkler standard response (5mm bulb) K=80, 68 degrees	100
RDM024079P	½" SSU (upright) brass sprinkler standard response (5mm bulb) K=80, 79 degrees	100
RDM024093P	½" SSU (upright) brass sprinkler standard response (5mm bulb) K=80, 93 degrees	100
RDM024141P	½" SSU (upright) brass sprinkler standard response (5mm bulb) K=80, 141 degrees	100
RDM024057C	½" SSU (upright) chrome sprinkler standard response (5mm bulb) K=80, 57 degrees	100
RDM024068C	½" SSU (upright) chrome sprinkler standard response (5mm bulb) K=80, 68 degrees	100
RDM024079C	½" SSU (upright) chrome sprinkler standard response (5mm bulb) K=80, 79 degrees	100
RDM024093C	½" SSU (upright) chrome sprinkler standard response (5mm bulb) K=80, 93 degrees	100
RDM024141C	½" SSU (upright) chrome sprinkler standard response (5mm bulb) K=80, 141 degrees	100
RDM024057R9010	½" SSU (upright) white sprinkler standard response (5mm bulb) K=80, 57 degrees	100
RDM024068R9010	½" SSU (upright) white sprinkler standard response (5mm bulb) K=80, 68 degrees	100
RDM024079R9010	½" SSU (upright) white sprinkler standard response (5mm bulb) K=80, 79 degrees	100
RDM024093R9010	½" SSU (upright) white sprinkler standard response (5mm bulb) K=80, 93 degrees	100
RDM024141R9010	½" SSU (upright) white sprinkler standard response (5mm bulb) K=80, 141 degrees	100



Cert/LPCB/ ref. 566d/02



MODEL: RD025



- CE, LPCB, UL, FM & VdS approved
- Upright (SSU)
- Brass, Chrome and paint finish
- Special RAL colours available on request
- Quick Response
- 3mm Bulb
- UK Manufactured



RAL Colour Match



Sprinkler Wrench

PART NUMBER	DESCRIPTION	BOX QTY
Datasheet No 4.22		
RDM025057P	½" SSU (upright) brass sprinkler quick response (3mm bulb) K=80, 57 degrees	100
RDM025068P	½" SSU (upright) brass sprinkler quick response (3mm bulb) K=80, 68 degrees	100
RDM025079P	½" SSU (upright) brass sprinkler quick response (3mm bulb) K=80, 79 degrees	100
RDM025093P	½" SSU (upright) brass sprinkler quick response (3mm bulb) K=80, 93 degrees	100
RDM025141P	½" SSU (upright) brass sprinkler quick response (3mm bulb) K=80, 141 degrees	100
RDM025057C	½" SSU (upright) chrome sprinkler quick response (3mm bulb) K=80, 57 degrees	100
RDM025068C	½" SSU (upright) chrome sprinkler quick response (3mm bulb) K=80, 68 degrees	100
RDM025079C	½" SSU (upright) chrome sprinkler quick response (3mm bulb) K=80, 79 degrees	100
RDM025093C	½" SSU (upright) chrome sprinkler quick response (3mm bulb) K=80, 93 degrees	100
RDM025141C	½" SSU (upright) chrome sprinkler quick response (3mm bulb) K=80, 141 degrees	100
RDM025057R9010	½" SSU (upright) white sprinkler quick response (3mm bulb) K=80, 57 degrees	100
RDM025068R9010	½" SSU (upright) white sprinkler quick response (3mm bulb) K=80, 68 degrees	100
RDM025079R9010	½" SSU (upright) white sprinkler quick response (3mm bulb) K=80, 79 degrees	100
RDM025093R9010	½" SSU (upright) white sprinkler quick response (3mm bulb) K=80, 93 degrees	100
RDM025141R9010	½" SSU (upright) white sprinkler quick response (3mm bulb) K=80, 141 degrees	100



Cert/LPCB/ ref. 566d/01



MODEL: RD042

- CE, LPCB, UL, FM & VdS approved
- Pendent (SSP)
- Brass, Chrome and paint finish
- Special RAL colours available on request
- Standard Response
- 5mm Bulb
- UK Manufactured



RAL Colour Match



Sprinkler Wrench

PART NUMBER	DESCRIPTION	BOX QTY
Datasheet No 4.52		
RDM042057P	¾" SSP (pendent) brass sprinkler standard response (5mm bulb) K=115, 57 degrees	100
RDM042068P	¾" SSP (pendent) brass sprinkler standard response (5mm bulb) K=115, 68 degrees	100
RDM042079P	¾" SSP (pendent) brass sprinkler standard response (5mm bulb) K=115, 79 degrees	100
RDM042093P	¾" SSP (pendent) brass sprinkler standard response (5mm bulb) K=115, 93 degrees	100
RDM042141P	¾" SSP (pendent) brass sprinkler standard response (5mm bulb) K=115, 141 degrees	100
RDM042057C	¾" SSP (pendent) chrome sprinkler standard response (5mm bulb) K=115, 57 degrees	100
RDM042068C	¾" SSP (pendent) chrome sprinkler standard response (5mm bulb) K=115, 68 degrees	100
RDM042079C	¾" SSP (pendent) chrome sprinkler standard response (5mm bulb) K=115, 79 degrees	100
RDM042093C	¾" SSP (pendent) chrome sprinkler standard response (5mm bulb) K=115, 93 degrees	100
RDM042141C	¾" SSP (pendent) chrome sprinkler standard response (5mm bulb) K=115, 141 degrees	100
RDM042057R9010	¾" SSP (pendent) white sprinkler standard response (5mm bulb) K=115, 57 degrees	100
RDM042068R9010	¾" SSP (pendent) white sprinkler standard response (5mm bulb) K=115, 68 degrees	100
RDM042079R9010	¾" SSP (pendent) white sprinkler standard response (5mm bulb) K=115, 79 degrees	100
RDM042093R9010	¾" SSP (pendent) white sprinkler standard response (5mm bulb) K=115, 93 degrees	100
RDM042141R9010	¾" SSP (pendent) white sprinkler standard response (5mm bulb) K=115, 141 degrees	100



Cert/LPCB/ ref. 566d/02



MODEL: RD043

- CE, LPCB, UL, FM & VdS approved
- Pendent (SSP)
- Brass, Chrome and paint finish
- Special RAL colours available on request
- Quick Response
- 3mm Bulb
- UK Manufactured



RAL Colour Match



Sprinkler Wrench

PART NUMBER	DESCRIPTION	BOX QTY
Datasheet No 4.52		
RDM043057P	¾" SSP (pendent) brass sprinkler quick response (3mm bulb) K=115, 57 degrees	100
RDM043068P	¾" SSP (pendent) brass sprinkler quick response (3mm bulb) K=115, 68 degrees	100
RDM043079P	¾" SSP (pendent) brass sprinkler quick response (3mm bulb) K=115, 79 degrees	100
RDM043093P	¾" SSP (pendent) brass sprinkler quick response (3mm bulb) K=115, 93 degrees	100
RDM043141P	¾" SSP (pendent) brass sprinkler quick response (3mm bulb) K=115, 141 degrees	100
RDM043057C	¾" SSP (pendent) chrome sprinkler quick response (3mm bulb) K=115, 57 degrees	100
RDM043068C	¾" SSP (pendent) chrome sprinkler quick response (3mm bulb) K=115, 68 degrees	100
RDM043079C	¾" SSP (pendent) chrome sprinkler quick response (3mm bulb) K=115, 79 degrees	100
RDM043093C	¾" SSP (pendent) chrome sprinkler quick response (3mm bulb) K=115, 93 degrees	100
RDM043141C	¾" SSP (pendent) chrome sprinkler quick response (3mm bulb) K=115, 141 degrees	100
RDM043057R9010	¾" SSP (pendent) white sprinkler quick response (3mm bulb) K=115, 57 degrees	100
RDM043068R9010	¾" SSP (pendent) white sprinkler quick response (3mm bulb) K=115, 68 degrees	100
RDM043079R9010	¾" SSP (pendent) white sprinkler quick response (3mm bulb) K=115, 79 degrees	100
RDM043093R9010	¾" SSP (pendent) white sprinkler quick response (3mm bulb) K=115, 93 degrees	100
RDM043141R9010	¾" SSP (pendent) white sprinkler quick response (3mm bulb) K=115, 141 degrees	100



Cert/LPCB/ ref. 566d/01



MODEL: RD0044

- CE, LPCB, UL, FM & VdS approved
- Upright (SSU)
- Brass, Chrome and paint finish
- Special RAL colours available on request
- Standard Response
- 5mm Bulb
- UK Manufactured



RAL Colour Match



Sprinkler Wrench

PART NUMBER	DESCRIPTION	BOX QTY
Datasheet No 4.52		
RDM044057P	¾" SSU (upright) brass sprinkler standard response (5mm bulb) K=115, 57 degrees	100
RDM044068P	¾" SSU (upright) brass sprinkler standard response (5mm bulb) K=115, 68 degrees	100
RDM044079P	¾" SSU (upright) brass sprinkler standard response (5mm bulb) K=115, 79 degrees	100
RDM044093P	¾" SSU (upright) brass sprinkler standard response (5mm bulb) K=115, 93 degrees	100
RDM044141P	¾" SSU (upright) brass sprinkler standard response (5mm bulb) K=115, 141 degrees	100
RDM044057C	¾" SSU (upright) chrome sprinkler standard response (5mm bulb) K=115, 57 degrees	100
RDM044068C	¾" SSU (upright) chrome sprinkler standard response (5mm bulb) K=115, 68 degrees	100
RDM044079C	¾" SSU (upright) chrome sprinkler standard response (5mm bulb) K=115, 79 degrees	100
RDM044093C	¾" SSU (upright) chrome sprinkler standard response (5mm bulb) K=115, 93 degrees	100
RDM044141C	¾" SSU (upright) chrome sprinkler standard response (5mm bulb) K=115, 141 degrees	100
RDM044057R9010	¾" SSU (upright) white sprinkler standard response (5mm bulb) K=115, 57 degrees	100
RDM044068R9010	¾" SSU (upright) white sprinkler standard response (5mm bulb) K=115, 68 degrees	100
RDM044079R9010	¾" SSU (upright) white sprinkler standard response (5mm bulb) K=115, 79 degrees	100
RDM044093R9010	¾" SSU (upright) white sprinkler standard response (5mm bulb) K=115, 93 degrees	100
RDM044141R9010	¾" SSU (upright) white sprinkler standard response (5mm bulb) K=115, 141 degrees	100



Cert/LPCB/ ref. 566d/02



MODEL: RD0045

- CE, LPCB, UL, FM & VdS approved
- Upright (SSU)
- Brass, Chrome and paint finish
- Special RAL colours available on request
- Quick Response
- 3mm Bulb
- UK Manufactured



RAL Colour Match



Sprinkler Wrench

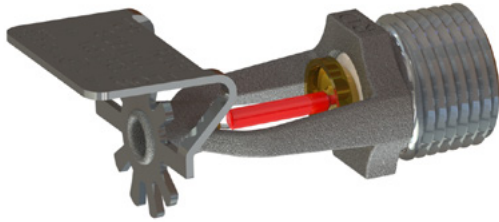
PART NUMBER	DESCRIPTION	BOX QTY
Datasheet No 4.52		
RDM045057P	¾" SSU (upright) brass sprinkler quick response (3mm bulb) K=115, 57 degrees	100
RDM045068P	¾" SSU (upright) brass sprinkler quick response (3mm bulb) K=115, 68 degrees	100
RDM045079P	¾" SSU (upright) brass sprinkler quick response (3mm bulb) K=115, 79 degrees	100
RDM045093P	¾" SSU (upright) brass sprinkler quick response (3mm bulb) K=115, 93 degrees	100
RDM045141P	¾" SSU (upright) brass sprinkler quick response (3mm bulb) K=115, 141 degrees	100
RDM045057C	¾" SSU (upright) chrome sprinkler quick response (3mm bulb) K=115, 57 degrees	100
RDM045068C	¾" SSU (upright) chrome sprinkler quick response (3mm bulb) K=115, 68 degrees	100
RDM045079C	¾" SSU (upright) chrome sprinkler quick response (3mm bulb) K=115, 79 degrees	100
RDM045093C	¾" SSU (upright) chrome sprinkler quick response (3mm bulb) K=115, 93 degrees	100
RDM045141C	¾" SSU (upright) chrome sprinkler quick response (3mm bulb) K=115, 141 degrees	100
RDM045057R9010	¾" SSU (upright) white sprinkler quick response (3mm bulb) K=115, 57 degrees	100
RDM045068R9010	¾" SSU (upright) white sprinkler quick response (3mm bulb) K=115, 68 degrees	100
RDM045079R9010	¾" SSU (upright) white sprinkler quick response (3mm bulb) K=115, 79 degrees	100
RDM045093R9010	¾" SSU (upright) white sprinkler quick response (3mm bulb) K=115, 93 degrees	100
RDM045141R9010	¾" SSU (upright) white sprinkler quick response (3mm bulb) K=115, 141 degrees	100



Cert/LPCB/ ref. 566d/01



NEW



MODEL: RD060

- CE, LPCB, UL, FM & VdS approved
- Sidewall (HSW)
- Brass, Chrome and paint finish
- Special RAL colours available on request
- Standard Response
- 5mm Bulb
- UK Manufactured



RAL Colour Match



Sprinkler Wrench

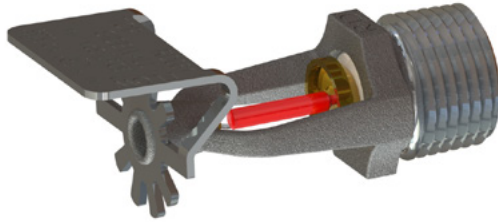
PART NUMBER	DESCRIPTION	BOX QTY
Datasheet No 4.53		
RDM060057P	½" HSW (Horizontal Side Wall) brass sprinkler standard response (5mm bulb) K=80, 57 degrees	100
RDM060068P	½" HSW (Horizontal Side Wall) brass sprinkler standard response (5mm bulb) K=80, 68 degrees	100
RDM060079P	½" HSW (Horizontal Side Wall) brass sprinkler standard response (5mm bulb) K=80, 79 degrees	100
RDM060093P	½" HSW (Horizontal Side Wall) brass sprinkler standard response (5mm bulb) K=80, 93 degrees	100
RDM060141P	½" HSW (Horizontal Side Wall) brass sprinkler standard response (5mm bulb) K=80, 141 degrees	100
RDM060057C	½" HSW (Horizontal Side Wall) chrome sprinkler standard response (5mm bulb) K=80, 57 degrees	100
RDM060068C	½" HSW (Horizontal Side Wall) chrome sprinkler standard response (5mm bulb) K=80, 68 degrees	100
RDM060079C	½" HSW (Horizontal Side Wall) chrome sprinkler standard response (5mm bulb) K=80, 79 degrees	100
RDM060093C	½" HSW (Horizontal Side Wall) chrome sprinkler standard response (5mm bulb) K=80, 93 degrees	100
RDM060141C	½" HSW (Horizontal Side Wall) chrome sprinkler standard response (5mm bulb) K=80, 141 degrees	100
RDM060057R9010	½" HSW (Horizontal Side Wall) white sprinkler standard response (5mm bulb) K=80, 57 degrees	100
RDM060068R9010	½" HSW (Horizontal Side Wall) white sprinkler standard response (5mm bulb) K=80, 68 degrees	100
RDM060079R9010	½" HSW (Horizontal Side Wall) white sprinkler standard response (5mm bulb) K=80, 79 degrees	100
RDM060093R9010	½" HSW (Horizontal Side Wall) white sprinkler standard response (5mm bulb) K=80, 93 degrees	100
RDM060141R9010	½" HSW (Horizontal Side Wall) white sprinkler standard response (5mm bulb) K=80, 141 degrees	100



Cert/LPCB/ ref. 566d/02



NEW



MODEL: RD061

- CE, LPCB, UL, FM & VdS approved
- Sidewall (HSW)
- Brass, Chrome and paint finish
- Special RAL colours available on request
- Quick Response
- 3mm Bulb
- UK Manufactured



RAL Colour Match



Sprinkler Wrench

PART NUMBER	DESCRIPTION	BOX QTY
Datasheet No 4.53		
RDM061057P	3/4" SSU (upright) brass sprinkler quick response (3mm bulb) K=80, 57 degrees	100
RDM061068P	1/2" HSW (Horizontal Side Wall) brass sprinkler quick response (3mm bulb) K=80, 68 degrees	100
RDM061079P	1/2" HSW (Horizontal Side Wall) brass sprinkler quick response (3mm bulb) K=80, 79 degrees	100
RDM061093P	1/2" HSW (Horizontal Side Wall) brass sprinkler quick response (3mm bulb) K=80, 93 degrees	100
RDM061141P	1/2" HSW (Horizontal Side Wall) brass sprinkler quick response (3mm bulb) K=80, 141 degrees	100
RDM061057C	1/2" HSW (Horizontal Side Wall) chrome sprinkler quick response (3mm bulb) K=80, 57 degrees	100
RDM061068C	1/2" HSW (Horizontal Side Wall) chrome sprinkler quick response (3mm bulb) K=80, 68 degrees	100
RDM061079C	1/2" HSW (Horizontal Side Wall) chrome sprinkler quick response (3mm bulb) K=80, 79 degrees	100
RDM061093C	1/2" HSW (Horizontal Side Wall) chrome sprinkler quick response (3mm bulb) K=80, 93 degrees	100
RDM061141C	1/2" HSW (Horizontal Side Wall) chrome sprinkler quick response (3mm bulb) K=80, 141 degrees	100
RDM061057R9010	1/2" HSW (Horizontal Side Wall) white sprinkler quick response (3mm bulb) K=80, 57 degrees	100
RDM061068R9010	1/2" HSW (Horizontal Side Wall) white sprinkler quick response (3mm bulb) K=80, 68 degrees	100
RDM061079R9010	1/2" HSW (Horizontal Side Wall) white sprinkler quick response (3mm bulb) K=80, 79 degrees	100
RDM061093R9010	1/2" HSW (Horizontal Side Wall) white sprinkler quick response (3mm bulb) K=80, 93 degrees	100
RDM061141R9010	1/2" HSW (Horizontal Side Wall) white sprinkler quick response (3mm bulb) K=80, 141 degrees	100



Cert/LPCB/ ref. 5661/01



MODEL: RD107 (LPCB, CE) / RD105 (FM, UL)

- Concealed type.
- Quick & Standard response.
- Standard coverage K80 (5.6) 1/2" NPT.
- Compact Size, Lay flat 60mm cover plate the smallest approved concealed on the market.
- Standard White, Black & Chrome available from Stock.
- Optional RAL colour cover plates & wood grain finishes.
- Fusible Solder Link, No glass debris when activated.
- Protective cap with the ceiling label and tolerance Vertical height adjustment 9.5mm (3/8 inch).
- Cap removal tool, ensures the cap is pulled straight down.

PART NUMBER	DESCRIPTION	BOX QTY
Datasheet No 4.20 (LPCB) 4.19 (FM)		
RD107CNEU162	RD107 commercial concealed sprinkler head complete with White RAL9010 cover plate, LPCB / CE approved	100
RDCNCOV140R9010	RD107 cover plate, white RAL9010 (60mm Diameter)	100
RD105CNPQR162	RD105 commercial concealed sprinkler head complete with White RAL9003 cover plate, FM / UL approved	100
RDCNCOV140R9003	RD105 cover plate, white RAL9003 (60mm Diameter)	100
RDSOCKETFQR	Installation socket for RD107 & RD105	1
RDCRT100/200	Cap removal tool for RD101, RD107, RD105	1



PART NUMBER	DESCRIPTION	BOX QTY
Datasheet No 4.12		
RD101FQREU072W	RD101 Flush Pendent Sprinkler head c/w white RAL9003 escutcheon, LPCB /CE approved	100
RDESCFR9003	RD101 Escutcheon, white RAL9003	100
RD101FQREU072W2	RD101 Flush Pendent Sprinkler head c/w white RAL9010 escutcheon, LPCB / CE approved	100
RDESCW9010	RD101 Escutcheon, white RAL9010	100
RD101FQREU072BK	RD101 Flush Pendent Sprinkler head c/w Black escutcheon, LPCB / CE approved	100
RDESCFR9005	RD101 Escutcheon, Black RAL9010	100
RD101FQREU072C	RD101 Flush Pendent Sprinkler head c/w Chrome escutcheon, LPCB / CE approved	100
RDESCFC	RD101 Escutcheon, Chrome RAL9010	100
RDSOCKETFQR	Installation socket for RD101, RD107, RD105, RD205	1
RDCRT100/200	Cap removal tool for RD101, RD107, RD105, RD205	1



NEW



MODEL: RD102

- LPCB / CE Approved
- Flush pendent life safety sprinkler
- White, chrome plated & black finish
- Special RAL colours available on request



BS EN 12259-1 Cert No.566e/02



RAL Colour Match



Sprinkler Wrench

PART NUMBER	DESCRIPTION	BOX QTY
Datasheet No 4.27		
RD102FP5072R9010	RD102 Flush Pendent Sprinkler head c/w white RAL9010 escutcheon, LPCB / CE approved	100
RDESCW9010	RD102 Escutcheon, white RAL9010	100
RD102FP5072R9005	RD102 Flush Pendent Sprinkler head c/w black RAL9005 escutcheon, LPCB / CE approved	100
RDESCFR9005	RD102 Escutcheon, black RAL9005	100
RD102FP5072C	RD102 Flush Pendent Sprinkler head c/w Chrome escutcheon, LPCB / CE approved	100
RDESCFC	RD102 Escutcheon, Chrome RAL9010	100



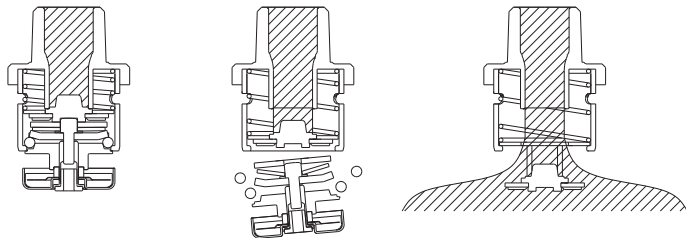
General Description

The Rapidrop Model RD102 Flush Pendent Sprinklers are automatic sprinklers of the compressed fusible solder type. The Model RD102 has a K80 (K5.6) K-factor and is designed for use in Commercial occupancies in wet pipe sprinkler systems as per BS EN 12845 or as required by the authority having jurisdiction. The Flush design of Model RD102 features a separable escutcheon providing 9.5 mm (3/8 inch) vertical adjustment which reduces the accuracy to which the fixed pipe drops to the sprinklers must be cut to help assure a perfect fit installation. They are decorative, low profile, flush mounted sprinklers with Frame and Cover of the sprinkler hiding the Deflector and Gasket assemblies (Reference Figure 1). The Model RD102 has been designed with Quick response time rating and water distribution characteristics proven to help in the control of fires to improve the chance for occupants to escape or be evacuated.

When aesthetics is the major consideration, the Model RD102 should be your first choice.

Operation

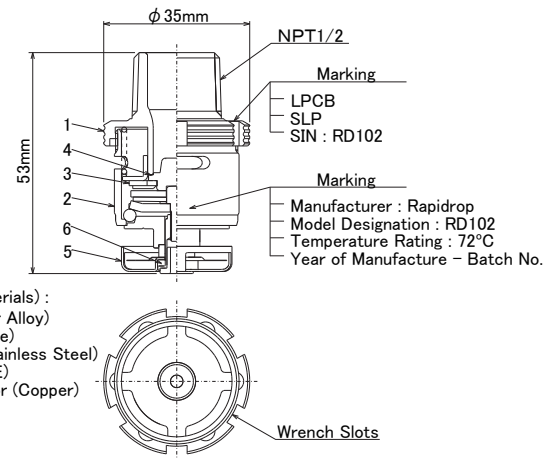
The Sprinkler assembly contains a small fusible solder element. When exposed to sufficient heat from a fire, the solder melts and enables the internal components of the sprinkler to fall away. At this point the sprinkler activates with the deflector dropping into its operated position (Reference Figure 2), permitting water to flow.



Normal Condition → Operation → Water Discharge

Design Criteria

The Model RD102 Flush Pendent Sprinklers must only be installed and utilised in accordance with the following described criteria, which are provided by the manufacturer.



Components (Materials) :

- 1 - Body (Copper Alloy)
- 2 - Frame (Bronze)
- 3 - Deflector (Stainless Steel)
- 4 - Gasket (PTFE)
- 5 - Heat Collector (Copper)
- 6 - Fusible Metal

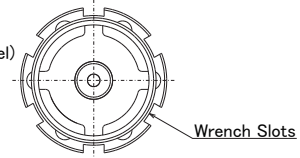


Figure 1

Technical Data

Item	Description
Approvals	LPCB
E.C. Certificate of Conformity	0832-CPR-S0063
Sprinkler Identification Number (SIN)	RD102
Type	SLP (Spray, Flush, Pendent)
Maximum Working Pressure	12.1 bar (175 psi)
Discharge Coefficient	K=80 (5.6)
Temperature Rating	72°C/162°F
Vertical Adjustment	9.5mm (3/8 inch)
Finishes	White Paint Chrome Plate Other RAL colours on request



RAL Colour Match

Sprinkler Wrench

MODEL: RD205, RD207, RD208

- UL Listed
- Concealed type
- White and chrome plated finish
- Special RAL colours available on request

PART NUMBER	DESCRIPTION	BOX QTY
Datasheet No 4.16 (RD205) 4.26 (RD206) 4.24 (RD207)		
RD205CNRES162W	RD205 K4.9 Residential Concealed Sprinkler c/w white cover plate, UL Listed	100
RDCNCOV140R9003	RD205 cover plate, white RAL9003 (60mm diameter)	100
RDSOCKETFQR	Installation socket for RD101, RD107, RD105, RD205	100
RD208CNRES162	RD208 K4.9 Resi Concealed Sprinkler c/w 68mm OR 83mm white cover plate, UL Listed	50
RDRESCV140R9003	RD206 cover plate, white RAL9003 (68mm diameter)	100
RDRESCV140R900383	RD206 cover plate, white RAL9003 (83mm diameter)	50
RD207CNRES162W	RD207 Low Flow K3.0 Resi Concealed Sprinkler c/w 68mm OR 83mm white cover plate, UL Listed	50
RDRESCV140R9003	RD208 cover plate, white RAL9003 (68mm diameter)	100
RDRESCV140R900383	RD208 cover plate, white RAL9003 (83mm diameter)	50
RDSOCKETFQR208	Sprinkler socket to suit RD208, RD207 sprinkler head	1



SPRINKLER ACCESSORIES

- Sprinkler spares cabinets
- Single escutcheons
- Two piece escutcheons
- Sprinkler guards
- Combined sprinkler guard and baffle plate
- Baffle plates

NOTE

SPECIAL RAL COLOURS FOR ESCUTCHEONS ARE AVAILABLE ON REQUEST

PART NUMBER	DESCRIPTION	BOX QTY
Datasheet No 4.01, 4.02, 4.04 & 4.09		
RDESC1/21PCR9010	1 piece rosette, White RAL9010	1
RDES1/21PCC	1 piece rosette, 1/2" , Chrome	1
RDES1/22PCW9010	2 piece rosette, 1/2" , White RAL9010	1
RDES1/22PCC	2 piece rosette, 1/2" , Chrome	1
RDES2TW9010	2 piece rosette, White, threaded type	1
RDES3/41PCC	1 piece rosette 3/4" Chrome	1
RDES3/41PCW	1 piece rosette 3/4" White	1
RDES3/42PCC	2 piece rosette, 3/4" Chrome	1
RDES3/42PCW	3 piece rosette, 3/4" White	1
PLEASE NOTE SPECIAL RAL COLOURS FOR ROSETTES TO MATCH SPRINKLER HEADS ARE AVAILABLE ON REQUEST		
RDSPKSPANV2	Standard sprinkler Wrench to suit RD020, RD021, RD022, RD023, RD024 & RD025 sprinkler heads	1
RDSOCKETFQR	Sprinkler socket to suit RD101, RD105 & RD107 sprinkler heads	1
RDSOCKETFQR208	Sprinkler socket to suit RD208, RD207 sprinkler head	1
RDCRT100/200	Cap removal tool for RD100 & RD200 range	1
RDBAFFLE08315SSP	Baffle Plate for 15mm sprinklers, 83mm diameter	1
RDBAFF8326G	Baffle Plate for 20mm sprinklers, 83mm diameter	1
RDSRPGUARD82C	Combined sprinkler guard & baffle plate for SSU type 15mm sprinklers	1
RDSRPGUARD65C	Combined sprinkler guard & baffle plate for SSU type 15mm sprinklers	1
RDSRPGUARDC	Miniature sprinkler guard, 65mm	1
RDCAB12	Sprinkler Spares Cabinet, 12 heads	1
RDCAB24	Sprinkler Spares Cabinet, 24 heads	1
RDCAB36	Sprinkler Spares Cabinet, 36 heads	1

NEW



SPRINKLER GUARD RDGD01 SPRINKLER SHIELDS RDBF01, RDBF02, RDBF03

- Rapidrop Sprinkler Guard encases the sprinkler to protect it from physical damage. Guards are recommended for sprinklers installed in areas exposed to high level of mechanical activities, e.g warehouse racks.
- Coating: Chrome Plate, Epoxy Powder Polyester - White
- Other RAL colours available on request
- FM Approved



PART NUMBER	DESCRIPTION	BOX QTY
Datasheet No 4.54		
RDSPRGUARDCFM	Sprinkler Guard to suit RD022, RD023, RD042, RD043, RD044, RD045 sprinkler heads - FM approved	100
RDBAFFSSP015FM	Sprinkler Shield (Baffle) suitable to suit RD022, RD023 sprinkler heads FM Approved	100
RDBAFFSSP020FM	Sprinkler Shield (Baffle) suitable to suit RD042, RD043 sprinkler heads FM approved	100
RDBAFFSSUFM	Sprinkler Shield (Baffle) suitable to suit RD044, RD045 sprinkler heads FM approved	100

Price on application for pre-assembled sprinkler guard and shield



Sprinkler Guard Sprinkler Shields



Product Description

Rapidrop Sprinkler Guard encases the sprinkler to protect it from physical damage. Guards are recommended for sprinklers installed in areas exposed to high level of mechanical activities, e.g warehouse racks.

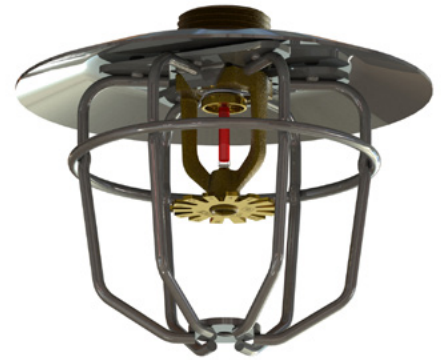
Sprinkler Shields are used in multilevel fire protection systems to ensure proper operation of lower level sprinklers. Shield provides protection for the heat responsive element of the sprinkler from direct spray of water from the neighbouring sprinkler or from the run-off water from the sprinkler installed above, both of which could delay or prevent the sprinkler from operation.

Coating

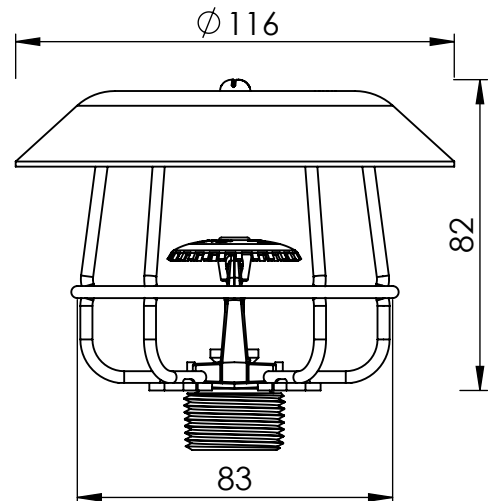
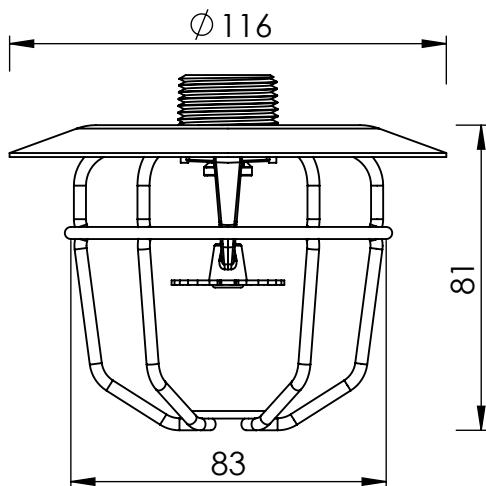
- Chrome Plate
- Epoxy Powder Polyester - White
- Other RAL colours available on request

Approvals

FM



Sprinkler Type	Sprinkler Model	Size	K-Factor	Product Ordering Code	
				Guard	Shield
Pendent	RD022	1/2"	K80 (5.6)	RDGD01	RDBF01
	RD023				
	RD042	3/4"	K115 (8.0)		RDBF02
	RD043				
Upright	RD044	RD045	RDBF03		





RESIDENTIAL SPRINKLER SYSTEM EQUIPMENT

- Wras Approved Double Check Valve
- Light weight compact double check valves for class 3 contamination risks
- Residential and domestic alarm & test valve assembly
- Lockable handle
- 1" or 1 ¼" full bore test valve
- Maximum working pressure
- Bespoke versions available which include CPVC adapters, monitored versions and double check valves.

PART NUMBER	DESCRIPTION	BOX QTY
Datasheet No		
RDDCV25WRAS	1" (25mm) WRAS approved double check valve	1
RDDCV32WRAS	1 ¼" (32mm) WRAS approved double check valve	1
RDDCV40WRAS	1 ½" (40mm) WRAS approved double check valve	1
RDRESIVALVESET25DP	1" (25mm) Dual Port, Residential valve set c/w locking ball valve & pressure gauge"	1
RDRESIVALVESET32DP	1 ¼" 32mm) Dual Port, Residential valve set c/w locking ball valve & pressure gauge"	1
RDRESIVALVESET40DP	1 ½" (40mm) Dual Port, Residential valve set c/w locking ball valve & pressure gauge	1
RDWFDT	Residential Flow Switch (System Sensor c/w timer delay)	1
DRS021G	Residential Flow Switch (Compact unit, no timer delay) complete with paddles to suit 25mm, 32mm and 40mm valve sets	1
RDFLOWSWITCHHHS003	Residential Flow Switch (Compact unit, no timer delay)	1
RDPAD40	Paddle for DRS012G to suit 40mm resi valve set	1



Cert/LPCB/ ref. 566b/01-03
Cert/LPCB/ ref. 566c/01



MODEL B, D, E

- CE, LPCB, UL, FM
- Available in sizes 80mm up to 200 mm
- Flanged or grooved connections
- Pre trimmed to FM or LPCB specification
- Alarm gongs
- Optional retard chamber
- Assembled in Rapidrop UK workshop

PART NUMBER	DESCRIPTION	BOX QTY
Datasheet No 5.01, 5.02, 5.03, 5.04, 5.10		
RDAVB114AL	4" Wet alarm valve, Model E, groove / groove c/w LPCB trim	1
RDAVB165AL	6" Wet alarm valve, Model E, groove / groove c/w LPCB trim	1
RDAVB080AL	3" Wet alarm valve, Model B, PN16 flanged c/w LPCB trim	1
RDAVB100AL	4" Wet alarm valve, Model B, PN16 flanged c/w LPCB trim	1
RDAVB150AL	6" Wet alarm valve, Model B, PN16 flanged c/w LPCB trim	1
RDAVB200AL	8" Wet alarm valve, Model B, PN16 flanged c/w LPCB trim	1
RDAVB114AF	4" Wet alarm valve, Model E, groove / groove c/w FM trim	1
RDAVB165AF	6" Wet alarm valve, Model E, groove / groove c/w FM trim (UK market 165mm o/d)	1
RDAVB168AF	6" Wet alarm valve, Model E, groove / groove c/w FM trim (European market 168mm o/d)	1
RDAVB080AF	3" Wet alarm valve, Model B, PN16 flanged c/w FM trim	1
RDAVB100AF	4" Wet alarm valve, Model B, PN16 flanged c/w FM trim	1
RDAVB150AF	6" Wet alarm valve, Model B, PN16 flanged c/w FM trim	1
RDAVB200AF	8" Wet alarm valve, Model B, PN16 flanged c/w FM trim	1
RDAVB114FGAF	4" Wet alarm valve, Model D, PN16 flanged / grooved c/w FM trim	1
RDAVB168FGAF	6" Wet alarm valve, Model D, PN16 flanged / grooved c/w FM trim (european market 168mm o/d)	1
RDAVB219FGAF	4" Wet alarm valve, Model D, PN16 flanged / grooved c/w FM trim	1



Cert/LPCB/ ref. 566b/01-03
Cert/LPCB/ ref. 566c/01



WET ALARM VALVE ACCESSORIES

- Wet alarm valve servicing kit
- Alarm Gong
- Retard chamber
- Pressure switches and pressure gauges

PART NUMBER	DESCRIPTION	BOX QTY
Datasheet No 5.01, 5.02, 5.03, 5.04, 5.10		
RDAVB080GASKIT	3" wet alarm valve servicing kit. (Kit includes; Face Cover Gasket, Clapper Rubber Gasket and Sealing Ring)	1
RDAVB100GASKIT	4" wet alarm valve servicing kit. (Kit includes; Face Cover Gasket, Clapper Rubber Gasket and Sealing Ring)	1
RDAVB150GASKIT	6" wet alarm valve servicing kit. (Kit includes; Face Cover Gasket, Clapper Rubber Gasket and Sealing Ring)	1
RDAVB200GASKIT	8" wet alarm valve servicing kit. (Kit includes; Face Cover Gasket, Clapper Rubber Gasket and Sealing Ring)	1
RDRETARDMODE	Retard Chamber, FM / UL / LPCB / CE	1
RDWMGE	Water motor alarm gong, FM / UL / LPCB / CE	1
RDGS36	Extended alarm gong spindle, 36" (900mm approx)	1
RDPS1381	1381 Pressure switch, fixed differential 0.7/14 bar, LPCB approved	1
RDPS3181V	1381 Variable Pressure switch, LPCB approved	1
RDEPS10-2	EPS10-2 Pressure Switch, FM / UL / VdS	1
RDEPS40-2	EPS40-2 Pressure switch, FM / UL / VdS	1
RDPRESSGAUGE16	0 - 16 bar Glycerin filled pressure Gauge, 100 mm diameter, 3/8" connection	1
RDPRESSGAUGE12	-1 to +2 bar Glycerin filled pressure Gauge, 100 mm diameter, 3/8" connection	1
RDPRESSGAUGE25	0 - 25 bar Glycerin filled pressure Gauge, 100 mm diameter, 3/8" connection	1
RDPRESSGAUGE40	0 - 40 bar Glycerin filled pressure Gauge, 100 mm diameter, 3/8" connection	1



BUTTERFLY VALVES

- APSAD Approved
- Grooved and Wafer type
- Working pressure 20 Bar
- Gearbox operated with factory installed tamper switches
- 1 meter flying lead
- Can be monitored either closed or open

PART NUMBER	DESCRIPTION	BOX QTY
Datasheet No 1.27 & 1.28		
RD204-050APSAD	2" (50mm) Butterfly valve, grooved c/w switch,	1
RD204-065APSAD	2 ½" (65mm) Butterfly valve, grooved c/w switch	1
RD204-080APSAD	3" (80mm) Butterfly valve, grooved c/w switch	1
RD204-100APSAD	4" (100mm) Butterfly valve, grooved c/w switch	1
RD204-150APSAD	6" (150mm) Butterfly valve, grooved c/w switch (165.1mm O/D UK market)	1
RD204-168APSAD	6" (168mm) Butterfly valve, grooved c/w switch (168mm O/D European market)	1
RD204-200APSAD	8" (200mm) Butterfly valve grooved c/w switch	1
RD204-250APSAD	10" (250mm) Butterfly valve grooved c/w switch	1
RD204-300APSAD	12" (300mm) Butterfly valve grooved c/w switch	1
RD203-050APSAD	2" (50mm) Butterfly valve, wafer type c/w switch	1
RD203-065APSAD	2 ½" (65mm) Butterfly valve, wafer type c/w switch	1
RD203-080APSAD	3" (80mm) Butterfly valve, wafer type c/w switch	1
RD203-100APSAD	4" (100mm) Butterfly valve, wafer type c/w switch	1
RD203-150APSAD	6" (150mm) Butterfly valve, wafer type c/w switch	1
RD203-200APSAD	8" (200mm) Butterfly valve wafer type c/w switch	1
RD203-250APSAD	10" (250mm) Butterfly valve wafer type c/w switch	1
RD203-300APSAD	12" (300mm) Butterfly valve wafer type c/w switch	1



EXTRA-LONG 1 METRE CABLE

- Extra-long 1 metre cable means that the installer can connect the cable to the control box by using a connection box attached to the wall next to the valve. This means the valve cover doesn't have to be removed, which saves time and money. Removing the cover also invalidates the warranty.

LIGHTWEIGHT

- Reduced size and weight makes the valve easier to install in confined spaces. Less weight reduces the chance of personal injury during installation.

FULL TRACEABILITY

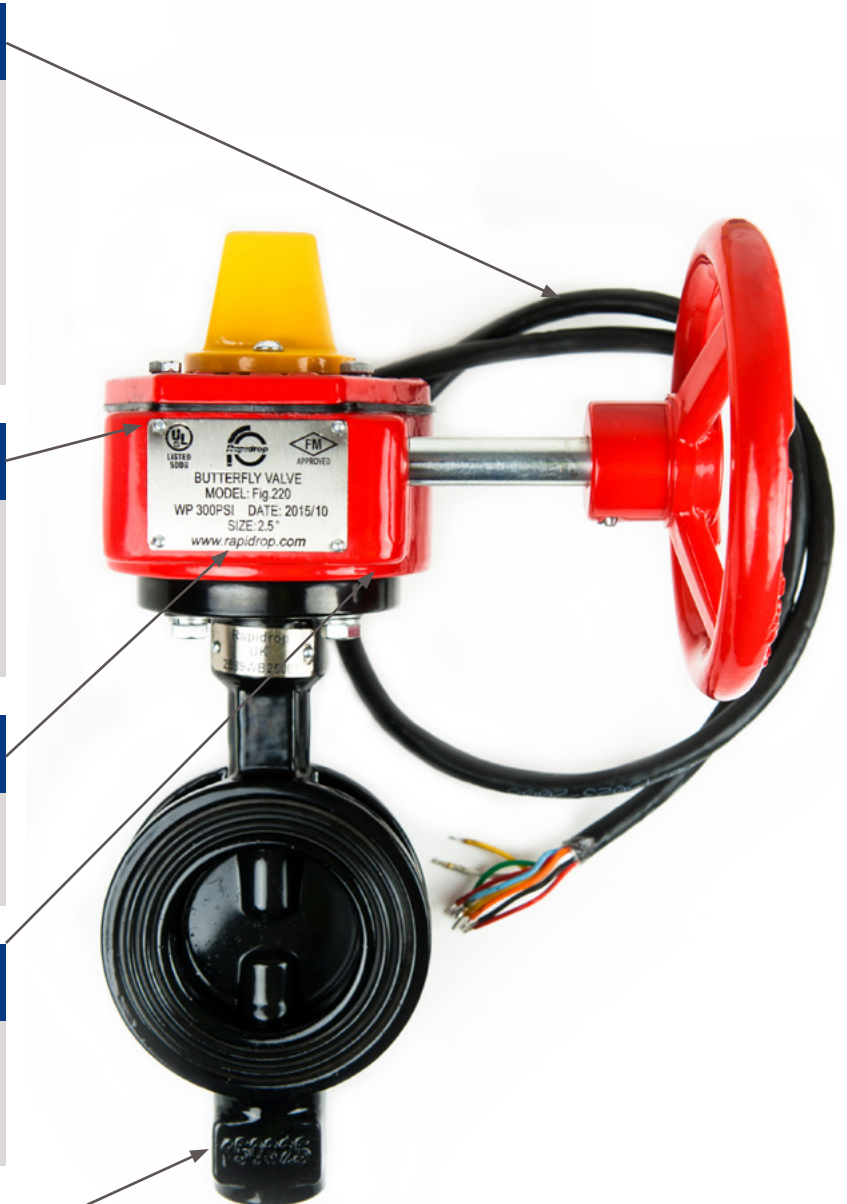
- Name plate includes separate batch number for full traceability.

FACTORY INSTALLED TAMPER SWITCH

- Double factory installed tamper switch as standard allows for dual monitoring if required by fire authority.

DURABLE

- Screwed bottom plug ensures no movement of bottom shaft under pressure



MORE BENEFITS



- FM approved & UL Listed
- Very competitive pricing.
- Large stock for immediate delivery throughout Europe.
- 21 Bar pressure rated as standard.
- Wiring diagram attached to with each valve.
- Each valve is individually protected with packaging to stop possible damage during transport



RD220 & RD221

- UL, FM,
- Grooved and Wafer type
- Working pressure 20 Bar
- Gearbox operated with factory installed tamper switches
- 1 meter flying lead

PART NUMBER	DESCRIPTION	BOX QTY
Datasheet No 1.53 & 1.54		
RD221-065	2 ½" (65mm) Butterfly valve, grooved c/w switch FM/UL, (76mm o/d) 20 bar rated	1
RD221-080	3" (80mm) Butterfly valve, grooved c/w switch FM/UL, (88.9mm o/d) 20 bar rated	1
RD221-100	4" (100mm) Butterfly valve, grooved c/w switch FM/UL, (114.3mm o/d) 20 bar rated	1
RD221-150	6" (150mm) Butterfly valve, grooved c/w switch FM/UL, (165.1mm o/d UK market) 20 bar rated	1
RD221-168	6" (168mm) Butterfly valve, grooved c/w switch FM/UL, (168mm o/d european market) 20 bar rated	1
RD221-200	8" (200mm) Butterfly valve, grooved c/w switch FM/UL, (219.1mm o/d) 20 bar rated	1
RD221-250	10" (250mm) Butterfly valve, grooved c/w switch, UL, (273mm o/d) 20 bar rated	1
RD221-300	12" (300mm) Butterfly valve, grooved c/w switch, UL, (323.9mm o/d) 20 bar rated	1
RD220-065	2 ½" (65mm) Butterfly valve, wafer type, c/w switch FM/UL 20 bar rated	1
RD220-080	3" (80mm) Butterfly valve, wafer type, c/w switch FM/UL 20 bar rated	1
RD220-100	4" (100mm) Butterfly valve, wafer type, c/w switch FM/UL 20 bar rated	1
RD220-150	6" (150mm) Butterfly valve, wafer type, c/w switch FM/UL 20 bar rated	1
RD220-200	8" (200mm) Butterfly valve, wafer type, c/w switch FM/UL 20 bar rated	1
RD220-250	10" (250mm) Butterfly valve, wafer type, c/w switch, UL 20 bar rated	1
RD220-300	12" (300mm) Butterfly valve, wafer type, c/w switch, UL 20 bar rated	1



NEW



RD215 & RD216

- FM, UL, VdS
- Grooved and Wafer type
- Working pressure 20 Bar
- Gearbox operated with factory installed tamper switches
- 1 meter flying lead

PART NUMBER	DESCRIPTION	BOX QTY
Datasheet No 1.53 & 1.54		
RD216-050	2" (50mm) Butterfly valve, grooved c/w switch FM / UL / VdS (76mm o/d) 20 bar rated	1
RD216-065	2 1/2" (65mm) Butterfly valve, grooved c/w switch FM / UL / VdS (76mm o/d) 20 bar rated	1
RD216-080	3" (80mm) Butterfly valve, grooved c/w switch FM / UL / VdS (88.9mm o/d) 20 bar rated	1
RD216-100	4" (100mm) Butterfly valve, grooved c/w switch FM / UL / VdS (114.3mm o/d) 20 bar rated	1
RD216-150	6" (150mm) Butterfly valve, grooved c/w switch FM / UL / VdS (165.1mm o/d UK market) 20 bar rated	1
RD216-168	6" (168mm) Butterfly valve, grooved c/w switch FM / UL / VdS (168mm o/d european market) 20 bar rated	1
RD216-200	8" (200mm) Butterfly valve, grooved c/w switch FM / UL / VdS (219.1mm o/d) 20 bar rated	1
RD216-250	10" (250mm) Butterfly valve, grooved c/w switch, FM / VdS (273mm o/d) 20 bar rated	1
RD216-300	12" (300mm) Butterfly valve, grooved c/w switch, FM / VdS (323.9mm o/d) 20 bar rated	1
RD217-050	2" (50mm) Butterfly valve, wafer type, c/w switch FM / UL / VdS 20 bar rated	1
RD217-065	2 1/2" (65mm) Butterfly valve, wafer type, c/w switch FM / UL / VdS 20 bar rated	1
RD217-080	3" (80mm) Butterfly valve, wafer type, c/w switch FM / UL / VdS 20 bar rated	1
RD217-100	4" (100mm) Butterfly valve, wafer type, c/w switch FM / UL / VdS 20 bar rated	1
RD217-150	6" (150mm) Butterfly valve, wafer type, c/w switch FM / UL / VdS 20 bar rated	1
RD217-200	8" (200mm) Butterfly valve, wafer type, c/w switch FM / UL / VdS 20 bar rated	1
RD217-250	10" (250mm) Butterfly valve, wafer type, c/w switch, FM / VdS 20 bar rated	1
RD217-300	12" (300mm) Butterfly valve, wafer type, c/w switch, FM / VdS 20 bar rated	1



FM, UL, VdS Butterfly Valves



Maximum Working Pressure

20.7 bar (300 PSI)

Temperature Range

0°-80°C

Coating

Fusion Bonded Epoxy Coating in accordance with ANSI /AWWA C550

Design Standard

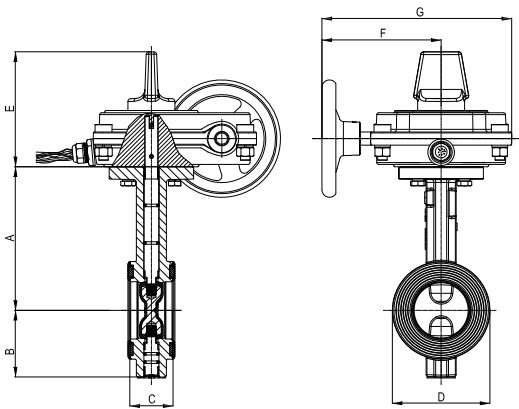
MSS SP-67

Connections

Groove to ISO6182 / AWWA C606

Gearbox Mounting Flange

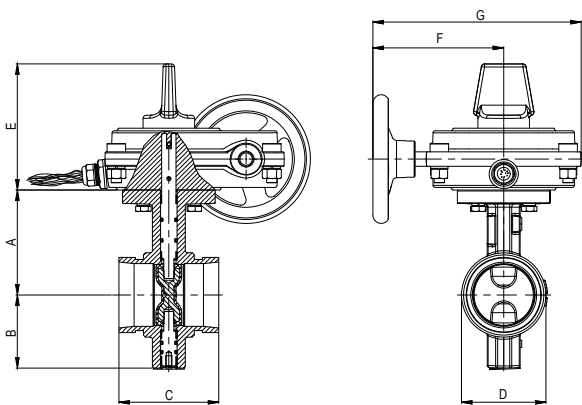
ISO 5211



Sizes 215

Sizes		Dimensions (mm)							Weight (Kg)	Pressure Rating Approvals		
Inch	mm	A	B	C	D	E	F	G		FM	UL	VdS
2"	DN 50	141	65	43±2	93	123	127	202	8.5	300PSI 20.7 bar	300PSI 20.7 bar	232 PSI 16 bar
2.5"	DN 65	153	71	46±2	104	123	127	202	8.9			
3"	DN 80	158	81	46±2	124	123	127	202	9.5			
4"	DN 100	176	95	52±2	150	123	127	202	10.9			
5"	DN 125	191	111	56±2	177	123	127	202	12.6			
6"	DN 150	203	133	56±2	205	123	127	202	16.3			
8"	DN 200	244	164	60±2	257	123	185	260	21.7			
10"	DN 250	273	196	68±2	316	123	185	260	30.8			
12"	DN 300	311	226	78±2	370	132	203	298	44.6			

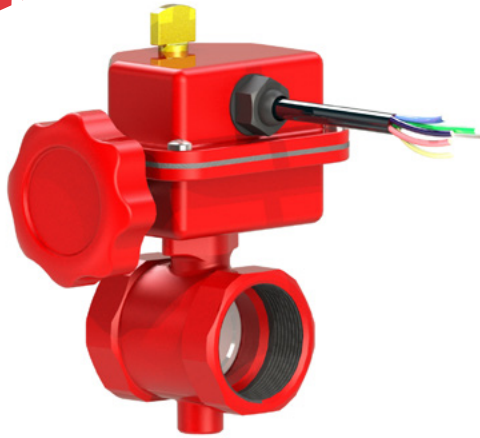
Sizes 216



Sizes		Dimensions (mm)							Weight (Kg)	Pressure Rating Approvals		
Inch	mm	A	B	C	D	E	F	G		FM	UL	VdS
2"	DN 50	89	65	81±1.5	60.3	123	127	202	8.0	300PSI 20.7 bar	300PSI 20.7 bar	232PSI 16bar
2.5"	DN 65	102	71	97±1.5	73.0	123	127	202	8.6			
2.5"	DN 65	102	71	97±1.5	76.1	123	127	202	8.6			
3"	DN 80	109	81	97±1.5	88.9	123	127	202	9.2			
4"	DN 100	128	95	116±1.5	114.3	123	127	202	10.7			
5"	DN 125	141	111	148±1.5	139.7	123	127	202	13.7			
5"	DN 125	141	111	148±1.5	141.3	123	127	202	13.7			
6"	DN 150	153	133	148±1.5	165.1	123	127	202	18.1			
6"	DN 150	153	133	148±1.5	168.3	123	127	202	18.1			
8"	DN 200	184	164	133±1.5	219.1	123	185	260	22.7			
10"	DN 250	216	196	159±1.5	273.0	123	185	260	33.7			
12"	DN 300	254	226	165±1.5	323.9	132	203	298	48.6			



NEW



RD202

- FM, UL,
- Threaded type
- Working pressure 12 Bar
- Gearbox operated with factory installed tamper switches



PART NUMBER	DESCRIPTION	BOX QTY
Datasheet No 1.62		
RD202-025	1" (25mm) Monitored Butterfly Valve	1
RD202-032	1 ¼" (32mm) Monitored Butterfly Valve	1
RD202-040	1 ½" (40mm) Monitored Butterfly Valve	1
RD202-050	2" (50mm) Monitored Butterfly Valve	1



FM, UL Threaded Butterfly Valve



Product Description

Rapidrop Fig. 202 Threaded Butterfly Valve is a rotary type valve with visual indication of whether the valve is in fully open position or not. Butterfly valves are commonly used in fire protection systems as system control valves, sectional or pump water control valves.

These valves have been designed with minimum flow restriction and pressure loss when in fully open position. To reduce the risk of a water hammer Rapidrop Butterfly Valves are provided with a slow close hand wheel operation gearbox.

Maximum Working Pressure

12 bar (175 PSI)

Temperature Range

0°-80°C

Coating

Fusion Bonded Epoxy Coating in accordance with ANSI /AWWA C550

Connection Standard

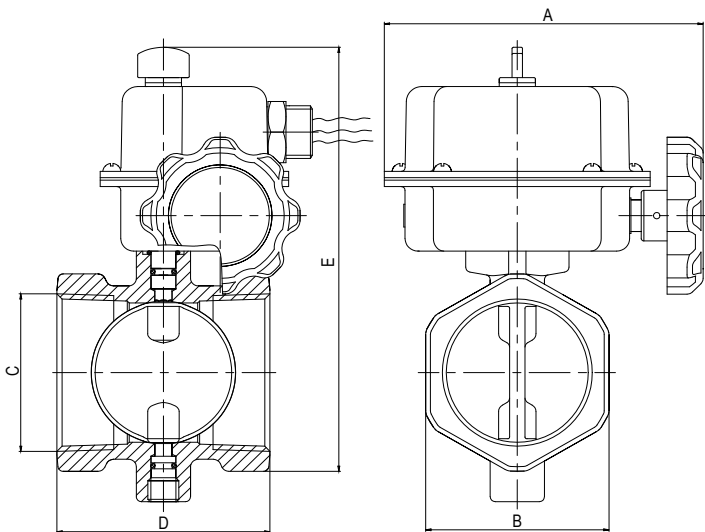
Thread in accordance with ISO7-1

Approvals

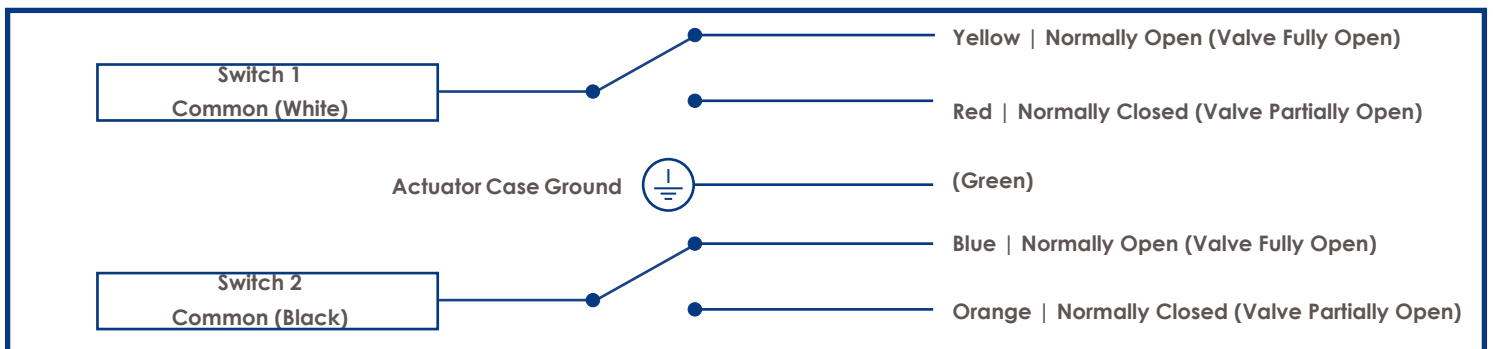
UL, FM

Switch Installation

An internal, factory installed, double tamper switch with 1m cables provide easy supervision of the valve. Within two handwheel turns from the "OPEN" position the switch will close indicating that the valve is not fully open.



SIZES		Dimensions (mm)					Weight (Kg)
Inch	mm	A	B	C(Thread)	D	E	
1"	DN 25	125	41	Rc 1 (1"BSPT)	54	115	1.3
1.25"	DN 32	125	49	Rc 1¼ (1¼"BSPT)	67	117.5	1.4
1.5"	DN 40	125	55.5	Rc 1½ (1½"BSPT)	73	121	1.5
2"	DN 50	125	71	Rc 2 (2"BSPT)	82.5	131	2.0





NEW



117FF (FLANGE PN16)

- NRS Gate Valve
- FM, UL, VdS Approved
- Conforms to AWWA C509
- Non shock working pressure:
20.7 bar / 300 psi (sizes 2 ½" up to 10")
- Non shock working pressure:
17.2 bar / 250 psi (sizes 12")
- Ductile iron body



PART NUMBER	DESCRIPTION	BOX QTY
Datasheet No 1.63, 1.64		
RD117FF050	2" (50mm) NRS Gate Valve, PN16 flanged, model 104, 20 bar rated, FM/UL	1
RD117FF065	2 ½" (65mm) NRS Post Ind Valve, PN16 flanged, model 104, 20 bar rated, FM/UL	1
RD117FF080	3" (80mm) NRS Gate Valve, PN16 flanged, model 104, 20 bar rated, FM/UL	1
RD117FF100	4" (100mm) NRS Post Ind Valve, PN16 flanged, model 104, 20 bar rated, FM/UL	1
RD117FF150	6" (150mm) NRS Gate Valve, PN16 flanged, model 104, 20 bar rated, FM/UL	1
RD117FF200	8" (200mm) NRS Gate Valve, PN16 flanged, model 104, 20 bar rated, FM/UL	1
RD117FF250	10" (250mm) NRS Post Ind Valve, PN16 flanged, model 104, 20 bar rated, FM/UL	1
RD117FF300	12" (300mm) NRS Gate Valve, PN16 flanged, model 104, 16 bar rated, FM/UL	1
RDGVLSKIT117	Monitor switch kit to suit RD117 gate valves	1

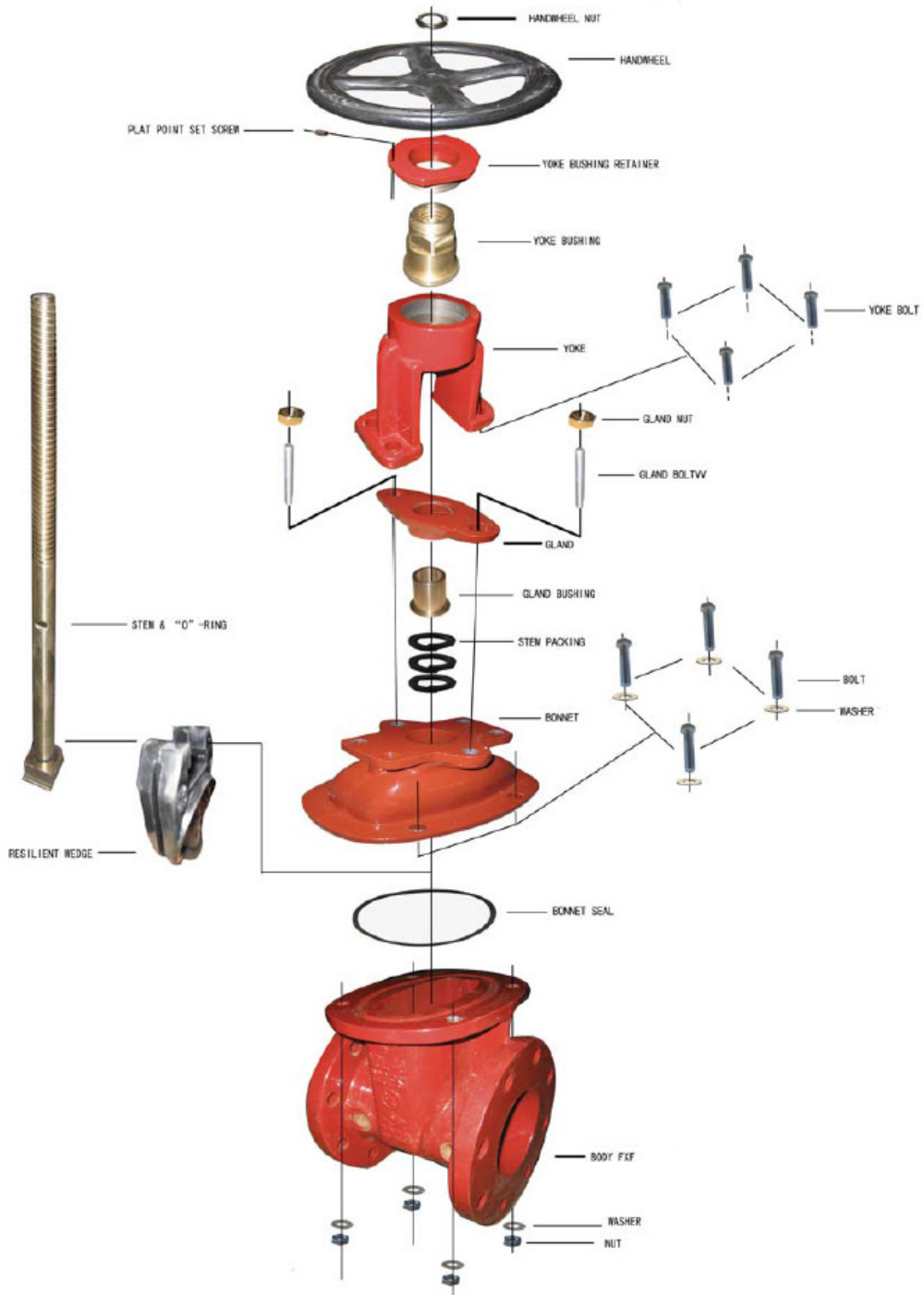
NEW



GATE VALVES (16 BAR RATED)

- Hand wheel operated non-rising stem BS5163
- BS 5163 Type A, BS EN 1074
- Open / Shut position Indicator
- Face to face dimension in accordance with BS5163
- Flange drilling in accordance with BS EN 1092 PN16 raised face
- Fitted anti tamper switch
- Optional ½" BSP Plugged tapping

PART NUMBER	DESCRIPTION	BOX QTY
Datasheet No 1.10		
RD112FF050S	2" BS5163 gate valve, PN16 Flange, 16 bar rated, c/w monitor switch	1
RD112FF065S	2 ½" BS5163 gate valve, PN16 Flange, 16 bar rated, c/w monitor switch	1
RD112FF080S	3" BS5163 gate valve, PN16 Flange, 16 bar rated, c/w monitor switch	1
RD112FF100S	4" BS5163 gate valve, PN16 Flange, 16 bar rated, c/w monitor switch	1
RD112FF150S	6" BS5163 gate valve, PN16 Flange, 16 bar rated, c/w monitor switch	1
RD112FF200S	8" BS5163 gate valve, PN16 Flange, 16 bar rated, c/w monitor switch	1
RD112FF250S	10" BS5163 gate valve, PN16 Flange, 16 bar rated, c/w monitor switch	1
RD112FF300S	12" BS5163 gate valve, PN16 Flange, 16 bar rated, c/w monitor switch	1
RD112FF350S	14" BS5163 gate valve, PN16 Flange, 16 bar rated, c/w monitor switch	1
RD112FF400S	16" BS5163 gate valve, PN16 Flange, 16 bar rated, c/w monitor switch	1
RD112FF450S	16" BS5163 gate valve, PN16 Flange, 16 bar rated, c/w monitor switch	1
RD112FF500S	16" BS5163 gate valve, PN16 Flange, 16 bar rated, c/w monitor switch	1
RDBIGGYR112	Monitor switch kit to suit RD112	1
RDGVLSKIT400	Limit Switch for Gate Valves 16"	1



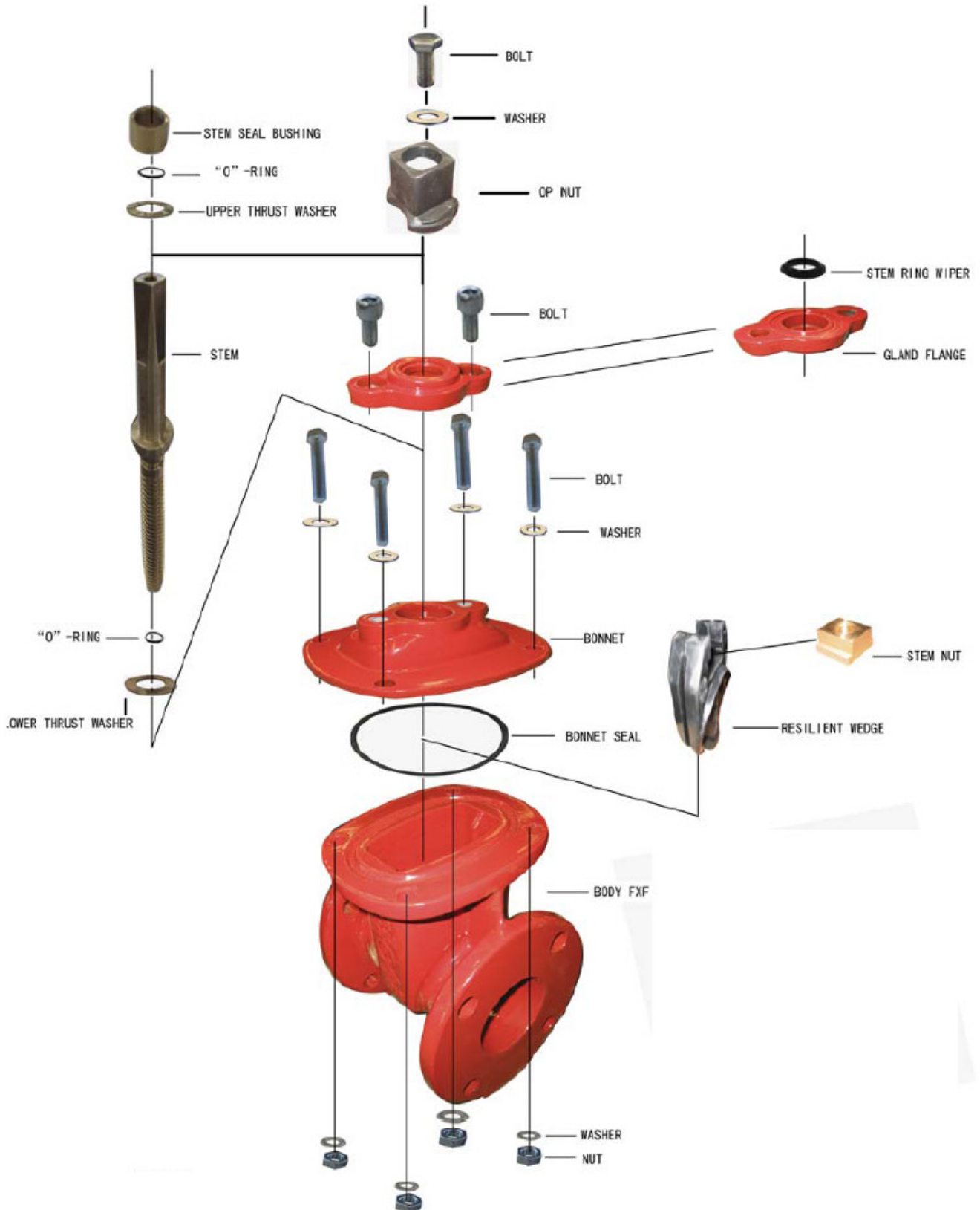


103FF (FLANGE PN16) & 103GG (GROOVED)

- OS&Y Resilient Wedge Gate Valve
- UL/FM Approved
- Conforms to AWWA C509
- Non shock working pressure:
20.7 bar / 300 psi (sizes 2 1/2" up to 10")
- Non shock working pressure:
17.2 bar / 250 psi (sizes 12")
- Ductile iron body

PART NUMBER	DESCRIPTION	BOX QTY
Datasheet No 1.09		
RD103FF065	2 1/2" (65mm) OS&Y Gate Valve, PN16 flanged model 103, 20 bar rated, FM/UL	1
RD103FF080	3" (80mm) OS&Y Gate Valve, PN16 flanged, model 103, 20 bar rated, FM/UL	1
RD103FFRD100	4" (100mm) OS&Y Gate Valve, PN16 flanged, model 103, 20 bar rated, FM/UL	1
RD103FF150	6" (150mm) OS&Y Gate Valve, PN16 flanged, model 103, 20 bar rated, FM/UL	1
RD103FF200	8" (200mm) OS&Y Gate Valve, PN16 flanged, model 103, 20 bar rated, FM/UL	1
RD103FF250	10" (250mm) OS&Y Gate Valve, PN16 flanged, model 103, 20 bar rated, FM/UL	1
RD103FF300	12" (300mm) OS&Y Gate Valve, PN16 flanged, model 103, 16 bar rated, FM/UL	1
RD103FF350	14" (350mm) OS&Y Gate Valve, PN16 flanged, model 103, 16 bar rated, FM/UL	1
RD103FF400	16" (400mm) OS&Y Gate Valve, PN16 flanged, model 103, 16 bar rated, FM/UL	1
RD103GG065	2 1/2" (65mm) OS&Y Gate Valve, grooved, model 103, 20 bar rated, FM/UL	1
RD103GG080	3" (80mm) OS&Y Gate Valve, grooved, model 103, 20 bar rated, FM/UL	1
RD103GGRD100	4" (100mm) OS&Y Gate Valve, grooved, model 103, 20 bar rated, FM/UL	1
RD103GG150	6" (150mm) OS&Y Gate Valve, grooved, model 103, 20 bar rated, FM/UL	1
RD103GG168	6" (168mm) OS&Y Gate Valve, grooved, model 103, 20 bar rated, FM/UL (European market)	1
RD103GG200	8" (200mm) OS&Y Gate Valve, grooved, model 103, 20 bar rated, FM/UL	1
RD103GG250	10" (250mm) OS&Y Gate Valve, grooved, model 103, 20 bar rated, FM/UL	1
RD103GG300	12" (300mm) OS&Y Gate Valve, grooved, model 103, 16 bar rated, FM/UL	1
RD103GG350	14" (350mm) OS&Y Gate Valve, grooved, model 103, 16 bar rated, FM/UL	1
RD103GG400	16" (400mm) OS&Y Gate Valve, grooved, model 103, 16 bar rated, FM/UL	1
RDOSY2	Switch to suit OS&Y Gate Valves	1

Please note: RD103 are also available in flange / groove option





PIV 104FF GATE VALVES 20 BAR (300 PSI) RATED

- Non-rising stem Resilient Wedge Gate Valve
- UL/FM Approved
- Conforms to AWWA C509
- Non stick cold working pressure:
20.7 bar / 300 psi (sizes 2 ½" up to 10")
- Non shock cold working pressure:
17.2 bar / 250 psi (sizes 12")
- Ductile iron body
- To be used with vertical post indicator or wall post indicator

PART NUMBER	DESCRIPTION	BOX QTY
Datasheet No 1.12		
RD104FF065	2 ½" (65mm) NRS Post Ind Valve, PN16 flanged, model 104, 20 bar rated, FM/UL	1
RD104FF080	3" (80mm) NRS Post Ind Valve, PN16 flanged, model 104, 20 bar rated, FM/UL	1
RD104FFRD100	4" (100mm) NRS Post Ind Valve, PN16 flanged, model 104, 20 bar rated, FM/UL	1
RD104FF150	6" (150mm) NRS Post Ind Valve, PN16 flanged, model 104, 20 bar rated, FM/UL	1
RD104FF200	8" (200mm) NRS Post Ind Valve, PN16 flanged, model 104, 20 bar rated, FM/UL	1
RD104FF250	10" (250mm) NRS Post Ind Valve, PN16 flanged, model 104, 20 bar rated, FM/UL	1
RD104FF300	12" (300mm) NRS Post Ind Valve, PN16 flanged, model 104, 16 bar rated, FM/UL	1
RD104FF350	14" (350mm) NRS Post Ind Valve, PN16 flanged, model 104, 16 bar rated, FM/UL	1
RD104FF400	16" (400mm) NRS Post Ind Valve, PN16 flanged, model 104, 16 bar rated, FM/UL	1
RDPOSTIND	Vertical Post Indicator Model 101	1
RDFPOSTWALL	Wall Post Indicator Model 102	1
RDPIBV2	Switch to suit monitoring switch for PIV Gate Vale	1

PLEASE NOTE ANSI GATE VALVES HAVE THE SAME PREFIX BUT END IN A - PRICES REMAIN THE SAME



Cert/LPCB/ ref. 1357/h/01
 Cert/LPCB/ ref. 1357/h/02
 Cert/LPCB/ ref. 1357/g
 Cert/LPCB/ ref. 085a/01

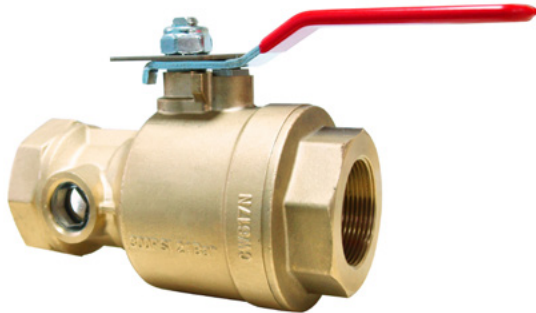


SWITCHES & GAUGES

- Flow switches CE, LPCB, UL, FM, VdS
- Pressure Switch FM approved
- Pressure Switch LPCB approved
- OSY Gate Valve limit switch
- BS5163 gate valve limit switch



PART NUMBER	DESCRIPTION	BOX QTY
Datasheet No. 2.07, 2.03		
RDWFD20EN	2" (50mm) System Sensor water flow detector (flow switch)	1
RDWFD25EN	2 1/2" (65mm) System Sensor water flow detector (flow switch)	1
RDWFD30EN	3" (80mm) System Sensor water flow detector (flow switch)	1
RDWFD40EN	4" (100mm) System Sensor water flow detector (flow switch)	1
RDWFD50EN	5" (125mm) System Sensor water flow detector (flow switch)	1
RDWFD60EN	6" (150mm) System Sensor water flow detector (flow switch)	1
RDWFD80EN	8" (200mm) System Sensor water flow detector (flow switch)	1
RDWFDT	1" Flow Switch (residential sprinkler systems)	1
RDOSY2	Supervisory Switch for OS&Y Gate valve FM/UL Approved	1
RDPIBV2	Supervisory Switch for PIV FM/UL Approved	1
RDPS1381	1381 Pressure switch, fixed differential 0.7 - 14 bar, LPCB approved (Bailey Mackey)	1
RDPS138128	1381 Pressure switch, fixed differential 0.2 - 28 bar, LPCB approved (Bailey Mackey)	1
RDPS138142	1381 Pressure switch, fixed differential 2 - 28 bar, LPCB approved (Bailey Mackey)	1
RDPS1381V	1381V 14 Bar Variable pressure switch (Bailey Mackey)	1
RDPS138128V	1381V 28 Bar Variable pressure switch (Bailey Mackey)	1
RDPS138142V	1381V 42 Bar Variable pressure switch (Bailey Mackey)	1
RDEPS10-2	EPS 10-2 Pressure Switch (double SPDT switches) FM/UL/VdS	1
RDEPS40-2	EPS 40-2 Pressure Switch (double SPDT switches) FM/UL/VdS	1
RDPRESSGAUGEFM	Dry Pressure Gauge, FM Approved	1
RDPRESSGAUGE16	0 - 16 Glycerin filled Bar Pressure Gauge	1
RDPRESSGAUGE12	-1 to +2 bar Glycerin filled pressure Gauge, 100 mm diameter, 3/8" connection	1
RDPRESSGAUGE25	0 - 25 Bar Glycerin filled pressure gauge	1
RDPRESSGAUGE40	0 - 40 Bar Glycerin filled pressure gauge	1
RDLOSSCON	No Loss connector to suit 40 bar gauges	1



A61 TEST & DRAIN VALVES

- Nominal pressure rated to 20.6 bar (300 PSI)
- Working temperature range of -10 / +120°C (14 / 250°F)
- Approval: UL Listed & FM Approved
- Available in 1", 1 ¼", 1 ½" and 2" pipe size connections
- Standard thread connection: BSPT
- K Factor K80 (K5.6)
- Brass body with three position ball valve OFF / TEST / DRAIN
- Integral sight glass with acrylic see through windows

PART NUMBER	DESCRIPTION	BOX QTY
Datasheet No 7.03		
RDA61Y005	1" (25mm) A61 Test & Drain Valve c/w ½" test orifice (for K80 sprinkler)	1
RDA61Y015	1" (25mm) A61 Test & Drain Valve c/w 17/32" test orifice (for K115 sprinkler)	1
RDA61009	1" (25mm) A61 Test & Drain Valve c/w ¾" test orifice (for K200 sprinkler)	1
RDA61Y006	1 ¼" (32mm) A61 Test & Drain Valve c/w ½" test orifice (for K80 sprinkler)	1
RDA61Y016	1 ¼" (32mm) A61 Test & Drain Valve c/w 17/32" test orifice (for K115 sprinkler)	1
RDA61Y012	1 ¼" (32mm) A61 Test & Drain Valve c/w 5/8" test orifice (for K160 sprinkler)	1
RDA61Y010	1 ¼" (32mm) A61 Test & Drain Valve c/w ¾" test orifice (for K200 sprinkler)	1
RDA61Y032	2" (50mm) A61 Test & Drain Valve c/w ½" test orifice (for K80 sprinkler)	1
RDA61Y033	2" (50mm) A61 Test & Drain Valve c/w 17/32" test orifice (for K115 sprinkler)	1
RDA61Y034	2" (50mm) A61 Test & Drain Valve c/w 5/8" test orifice (for K160 sprinkler)	1
RDA61Y035	2" (50mm) A61 Test & Drain Valve c/w ¾" test orifice (for K200 sprinkler)	1
RDA61Y036	2" (50mm) A61 Test & Drain Valve c/w 15/16" test orifice (for K240 sprinkler)	1
RDA61Y037	2" (50mm) A61 Test & Drain Valve c/w 1 5/64" test orifice (for K320 sprinkler)	1
RDA61Y038	2" (50mm) A61 Test & Drain Valve c/w 1 9/64" test orifice (for K360 sprinkler)	1

Please note A61 test & drain valves are also available in grooved



MODEL 304 GROOVED / CVF300 FLANGED

- Grooved swing check valve, 350 psi/24 bar rated, UL, FM
- Sizes DN50-DN200
- Model CVF300
- Flanged swing check valve, 300 psi/20 bar rated, UL, FM
- Size range 50mm up to 300mm

PART NUMBER	DESCRIPTION	BOX QTY
Datasheet No 1.36 & 1.37		
RDCVS050G	2" (50mm) grooved swing check valve, PN16 flange, model 304, 24 bar rated	1
RDCVS065G	2 ½" (65mm) grooved swing check valve, PN16 flange, model 304, 24 bar rated	1
RDCVS080G	3" (80mm) grooved swing check valve, PN16 flange, model 304, 24 bar rated	1
RDCVS100G	4" (100mm) grooved swing check valve, PN16 flange, model 304, 24 bar rated	1
RDCVS150G	6" (150mm) grooved swing check valve, PN16 flange, model 304, 24 bar rated (165mm o/d UK Market)	1
RDCVS168G	6" (168mm) grooved swing check valve, PN16 flange, model 304, 24 bar rated (168mm o/d European Market)	1
RDCVS200G	8" (200mm) grooved swing check valve, PN16 flange, model 304, 24 bar rated	1
RDCVF050F	2" (50mm) PN16 flanged swing check valve, model CVF300, FM/UL	1
RDCVF065F	2 ½" (65mm) PN16 flanged swing check valve, model CVF300, FM/UL	1
RDCVF080F	3" (80mm) PN16 flanged swing check valve, model CVF300, FM/UL	1
RDCVF100F	4" (100mm) PN16 flanged swing check valve, model CVF300, FM/UL	1
RDCVF150F	6" (150mm) PN16 flanged swing check valve, model CVF300, FM/UL	1
RDCVF200F	8" (200mm) PN16 flanged swing check valve, model CVF300, FM/UL	1
RDCVF250F	10" (250mm) PN16 flanged swing check valve, model CVF300, FM/UL	1
RDCVF300F	12" (300mm) PN16 flanged swing check valve, model CVF300, FM/UL	1



DOUBLE DOOR WAFER CHECK VALVES UL LISTED

- Dual Plate Check Valve
- Cast Iron Body
- Stainless Steel Plates & Springs
- EPDM Seat
- To suit PN16 Flanges
- Rated PN16
- Temperature 0°C to 120°C.

PART NUMBER	DESCRIPTION	BOX QTY
Datasheet No 1.75		
RD303-050	2" (50mm) Double door wafer check valve to suit PN16 flange, UL Listed	1
RD303-065	2 ½" (65mm) Double door wafer check valve, to suit PN16 flange	1
RD303-080	3" (80mm) Double door wafer check valve, to suit PN16 flange, UL Listed	1
RD303-100	4" (100mm) Double door wafer check valve, to suit PN16 flange, UL Listed	1
RD303-150	6" (150mm) Double door wafer check valve, to suit PN16 flange. UL Listed	1
RD303-200	8" (200mm) Double door wafer check valve, to suit PN16 flange, UL Listed	1
RD303-250	10" (250mm) Double door wafer check valve, to suit PN16 flange, UL Listed	1
RD303-300	12" (300mm) Double door wafer check valve, to suit PN16 flange, UL Listed	1
RD303-350	14" (350mm) Double door wafer check valve, to suit PN16 flange, UL listed	1
RD303-400	16" (400mm) Double door wafer check valve, to suit PN16 flange, UL listed	1



FOOT VALVES

- Cast iron foot valve and Strainer
- Flanged PN16 upto 6", PN10 8" to 12"
- Cast Iron Body, Stainless Steel Screen
- Cast Iron Disc with EPDM Seal with Back Seat
- 8mm Mesh
- Rated PN10
- Temperature -10°C to 90°C.

PART NUMBER	DESCRIPTION	BOX QTY
Datasheet No		
RDFV050	2" (50mm) Cast iron foot valve c/w strainer, PN16	1
RDFV065	2 ½" (65mm) Cast iron foot valve c/w strainer, PN16	1
RDFV080	3" (80mm) Cast iron foot valve c/w strainer, PN16	1
RDFV100	4" (100mm) Cast iron foot valve c/w strainer, PN16	1
RDFV150	6" (150mm) Cast iron foot valve c/w strainer, PN16	1
RDFV200	8" (200mm) Cast iron foot valve c/w strainer, PN10	1
RDFV250	10" (250mm) Cast iron foot valve c/w strainer, PN10	1
RDFV300	12" (300mm) Cast iron foot valve c/w strainer, PN10	1



SPRING LOADED CHECK VALVE

- Brass Spring Check Valve - Full Flow
- NBR Seal
- Polyacetal Disc
- Screwed BSPP Female
- Temperature Range -10°C to 90°C
- Can be installed in vertical or horizontal position

PART NUMBER	DESCRIPTION	BOX QTY
Datasheet No		
RDCVSP015S	"½" (15mm) Spring loaded threaded swing check valve, PN40 pressure rated"	1
RDCVSP020S	"¾" (20mm) Spring loaded threaded swing check valve, PN40 pressure rated"	1
RDCVSP025S	"1" (25mm) Spring loaded threaded swing check valve, PN25 pressure rated"	1
RDCVSP032S	"1 ¼" (32mm) Spring loaded threaded swing check valve, PN25 pressure rated"	1
RDCVSP040S	"1 ½" (40mm) Spring loaded threaded swing check valve, PN16 pressure rated"	1
RDCVSP050S	"2" (50mm) Spring loaded threaded swing check valve, PN16 pressure rated"	1



LOCKING BALL VALVE

- Brass Ball Valve with Locking Lever
- Nickel Plated Body
- Brass Ball & Stem,
- PTFE Seats, Full Bore,
- Screwed BSPT,
- Temperature -20°C to 110°C.

PART NUMBER	DESCRIPTION	BOX QTY
Datasheet No		
RDLBV015S	½" (15mm) BSP threaded locking lever ball valve, PN40	1
RDLBV020S	¾" (20mm) BSP threaded locking lever ball valve, PN40	1
RDLBV025S	1" (25mm) BSP threaded locking lever ball valve, PN40	1
RDLBV032S	1 ¼" (32mm) BSP threaded locking lever ball valve, PN25	1
RDLBV040S	1 ½" (40mm) BSP threaded locking lever ball valve, PN25	1
RDLBV050S	2" (50mm) BSP threaded locking lever ball valve, PN25	1
RDLBV065S	2 ½" (65mm) BSP threaded locking lever ball valve, PN16	1
RDLBV075S	3" (75mm) BSP threaded locking lever ball valve, PN16	1
RDLBV100S	4" (100mm) BSP threaded locking lever ball valve, PN16	1
RDPAD25	25mm Padlock to fit to lever locking ball valve	1



THREADED GATE VALVES

- BSP Gate valves, Brass
- To BS5154
- Bronze Body & Bonnet
- Screwed BSPP
- Rated PN20
- Temperature Range -20°C to 180°C.
- Lockshield Type also available

PART NUMBER	DESCRIPTION	BOX QTY
Datasheet No		
RDGVB015S	½" (15mm) brass BSP threaded gate valve, PN20	1
RDGVB020S	¾" (20mm) brass BSP threaded gate valve, PN20	1
RDGVB025S	1" (25mm) brass BSP threaded gate valve, PN20	1
RDGVB032S	1 ¼" (32mm) brass BSP threaded gate valve, PN20	1
RDGVB040S	1 ½" (40mm) brass BSP threaded gate valve, PN20	1
RDGVB050S	2" (50mm) brass BSP threaded gate valve, PN20	1
RDGVB065S	2 ½" (65mm) brass BSP threaded gate valve, PN20	1
RDGVB075S	3" (75mm) brass BSP threaded gate valve, PN20	1
RDGVB	4" (100mm) brass BSP threaded gate valve, PN20	1
RDGVB015LS	½" (15mm) bronze BSP threaded Lockshield gate valve, PN20	1
RDGVB020LS	¾" (20mm) bronze BSP threaded Lockshield gate valve, PN20	1
RDGVB025LS	1" (25mm) bronze BSP threaded Lockshield gate valve, PN20	1
RDGVB032LS	1 ¼" (32mm) bronze BSP threaded Lockshield gate valve, PN20	1
RDGVB040LS	1 ½" (40mm) bronze BSP threaded Lockshield gate valve, PN20	1
RDGVB050LS	2" (50mm) bronze BSP threaded Lockshield gate valve, PN20	1



PUMP INITIATION BOARDS BS EN12845

- Supplied ready for wall mounting
- Each arrangement has a separate test arrangement and connection with a common drain
- Meets BSEN12845 (double Switch)
- Pressure tested to 16 bar before dispatch
- 25 bar and 40 bar rated versions available on request
- Can be manufactured to customers own specification and drawing
- Assembled in Rapidrop UK workshop
- Single switch option available to meet BS5306

PART NUMBER	DESCRIPTION	BOX QTY
Datasheet No 6.02		
RDPIB2PBST	2 way Pump Initiation Board to BSEN12845 (16 bar rated gauges & switches)	1
RDPIB3PBST	3 way Pump Initiation Board to BSEN12845 (16 bar rated gauges & switches)	1
RDPIB4PBST	4 way Pump Initiation Board to BSEN12845 (16 bar rated gauges & switches)	1
RDPIB2PBS25BAR	2 way Pump Initiation Board to BSEN12845 (25 bar rated gauges & switches)	1
RDPIB3PBS25BAR	3 way Pump Initiation Board to BSEN12845 (25 bar rated gauges & switches)	1
RDPIB4PBS25BAR	4 way Pump Initiation Board to BSEN12845 (25 bar rated gauges & switches)	1
RDPIB2PBS40BAR	2 way Pump Initiation Board to BSEN12845 (40 bar rated gauges & switches)	1
RDPIB3PBS40BAR	3 way Pump Initiation Board to BSEN12845 (40 bar rated gauges & switches)	1
RDPIB4PBS40BAR	4 way Pump Initiation Board to BSEN12845 (40 bar rated gauges & switches)	1

Bespoke pump initiation boards available on request



ZONE ASSEMBLIES

- Available in 50mm, 65mm, 85mm, 100mm, 200mm
- Unit is supplied pre-wired using FP200 cable
- FM valve fitted as standard
- Assembled in Rapidrop UK workshop

Note
Non stock item - Manufactured to order

Options:
Test & Drain Valve sold separately

PART NUMBER	DESCRIPTION	BOX QTY
Datasheet No 7.02		
RDZA0502111	50mm zone assembly c/w FM monitored butterfly valve & flow switch	1
RDZA0652111	65mm zone assembly c/w FM monitored butterfly valve & flow switch	1
RDZA0802111	80mm zone assembly c/w FM monitored butterfly valve & flow switch	1
RDZA1002111	100mm zone assembly c/w FM monitored butterfly valve & flow switch	1
RDZA1652111	150mm zone assembly c/w FM monitored butterfly valve & flow switch	1
RDZA2002111	200mm zone assembly c/w FM monitored butterfly valve & flow switch	1

Please note test and drain valves are not included in the above prices



FLOW METERS

- FM - Grooved
- Venturi type
- Sizes 80mm to 300mm

PART NUMBER	DESCRIPTION	BOX QTY
Datasheet No 6.08		
RDPTMG0150080	Fire pump test meter 80mm (3") grooved 75-300 GPM FM approved	1
RDPTMG0200080	Fire pump test meter 80mm (3") grooved 100-400 GPM FM approved	1
RDPTMG0250100	Fire pump test meter 100mm (4") grooved 125-500 GPM FM approved	1
RDPTMG0300100	Fire pump test meter 100mm (4") grooved 150-600 GPM FM approved	1
RDPTMG0400100	Fire pump test meter 100mm (4") grooved 200-800 GPM FM approved	1
RDPTMG0450100	Fire pump test meter 100mm (4") grooved 225-900 GPM FM approved	1
RDPTMG0500150	Fire pump test meter 150mm (6") grooved 250-1000GPM FM approved	1
RDPTMG0750150	Fire pump test meter 150mm (6") grooved 375-1500 GPM FM approved	1
RDPTMG1000150	Fire pump test meter 150mm (6") grooved 500-2000 GPM FM approved	1
RDPTMG1250150	Fire pump test meter 150mm (6") grooved 625-2500 GPM FM approved	1
RDPTMG1000200	Fire pump test meter 200mm (8") grooved 500-2000 GPM FM approved	1

Butt Weld and Wafer design available on request



FLOW METERS



- FM - Grooved, butt weld, and Wafer design
- Sizes 80mm to 300mm

PART NUMBER	DESCRIPTION	BOX QTY
Datasheet No 6.08		
RDPTMG1250200	Fire pump test meter 200mm (8") grooved 625-2500 GPM FM approved	1
RDPTMG1500200	Fire pump test meter 200mm (8") grooved 750-3000 GPM FM approved	1
RDPTMG2000200	Fire pump test meter 200mm (8") grooved 1000-4000 GPM FM approved	1
RDPTMG2500200	Fire pump test meter 200mm (8") grooved 1250-5000 GPM FM approved	1
RDPTMG3000200	Fire pump test meter 200mm (8") grooved 1500-6000 GPM FM approved	1
RDPTMG1500250	Fire pump test meter 250mm (10") grooved 750-3000 GPM FM approved	1
RDPTMG2000250	Fire pump test meter 250mm (10") grooved 1000-4000 GPM FM approved	1
RDPTMG2500250	Fire pump test meter 250mm (10") grooved 1250-5000 GPM FM approved	1
RDPTMG3000250	Fire pump test meter 250mm (10") grooved 1500-6000 GPM FM approved	1
RDPTMG3500250	Fire pump test meter 250mm (10") grooved 1750-7000 GPM FM approved	1
RDPTMG4000250	Fire pump test meter 250mm (10") grooved 2000-8000 GPM FM approved	1
RDPTMG4500250	Fire pump test meter 250mm (10") grooved 2250-9000 GPM FM approved	1



Cert/LPCB/ ref. 564a/01-10



FLOW METERS

- LPCB - Grooved and Wafer design
- Sizes 50mm up to 200mm
- FM - Grooved and Wafer design
- Sizes 80mm to 200mm

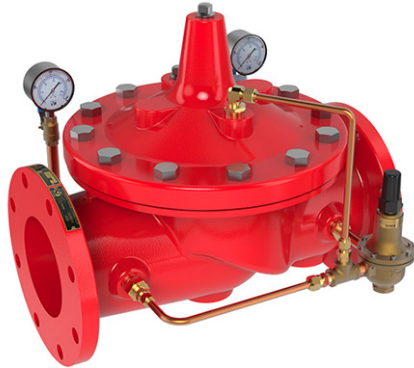
PART NUMBER	DESCRIPTION	BOX QTY
Datasheet No 6.04 & 6.09		
RDFLMGRV050I	2" (50mm) Influx Flow Meter, grooved, 150-750 lpm LPCB approved	1
RDFLMGRV080I	3" (80mm) Influx Flow Meter, grooved, 300-1600 lpm LPCB approved	1
RDFLMGRV100G	4" (100mm) Influx Flow, grooved, 500-3500 lpm LPCB approved	1
RDFLMGRV150G	6" (150mm) Influx Flow Meter, grooved, 900-7900 lpm LPCB approved	1
RDFLMGRV200G	8" (200mm) Influx Flow Meter, grooved, 2000-15000 lpm LPCB approved	1
RDFLMFLG050I	2" Influx Flow Meter, wafer type, 150-750 lpm LPCB approved	1
RDFLMFLG080I	3" Influx Flow Meter, wafer type, 300-2300 lpm LPCB approved	1
RDFLMFLG100I	4" Influx Flow Meter, wafer type, 500-3500 lpm LPCB approved	1
RDFLMFLG150I	6" Influx Flow Meter, wafer type, 900-7900 lpm LPCB approved	1
RDFLMFLG200I	8" Influx Flow Meter, wafer type, 2000-15000 lpm LPCB approved	1
RDFLMGRV080IFM	3" Influx Flow Meter, grooved, 300-1600 lpm FM approved	1
RDFLMGRV100IFM	4" Influx Flow Meter, grooved, 600-3400 lpm FM approved	1
RDFLMGRV150IFM	6" Influx Flow Meter FM approved, grooved, 900-7900 lpm	1
RDFLMGRV200IFM	8" Influx Flow Meter FM approved, grooved 3000-15000	1



HIGH PRESSURE VALVES

- Grooved & Wafer Available
- Working Pressure 27 Bar

PART NUMBER	DESCRIPTION	BOX QTY
Datasheet No		
RD221-100400	4" (100mm) Butterfly Valve, Grooved c/w switch (114.3 mm o/d) 27 bar rated	1
RD221-150400	6" (150mm) Butterfly Valve, Grooved c/w switch (165.1 mm o/d) 27 bar rated	1
RD220-100400	4" (100mm) Butterfly Valve, Wafer c/w switch (114.3 mm o/d) 27 bar rated	1
RD220-150400	6" (150mm) Butterfly Valve, Wafer c/w switch (165.1 mm o/d) 27 bar rated	1
RDCVS100G400	4" (100mm) Check Valve, Grooved 27 bar rated	1
RDCVS150G400	6" (150mm) Check Valve, Grooved 27 bar rated	1
RD103GG100400	4" (100mm) OS&Y Gate Valve, Grooved 27 bar rated	1
RD103GG150400	6" (150mm) OS&Y Gate Valve, Grooved 27 bar rated	1



CLA-VAL PRESSURE REDUCING VALVES (MODEL 90G-21)

- Globe or Angle Pattern
- UL Listed
- Proven Reliable Design
- Available in Cast Bronze, Ductile Iron and Cast Steel
- Accurate Pressure Control
- In Line Service
- Grooved Ends (40 - 200 mm)

PART NUMBER	DESCRIPTION	BOX QTY
Datasheet No 1.25		
RD90G-21-050	90G-21 pressure reducing valve, 50mm, globe pattern, ANSI 150, UL	1
RD90G-21-065	90G-21 pressure reducing valve, 65mm, globe pattern, ANSI 150, UL	1
RD90G-21-080	90G-21 pressure reducing valve, 80mm, globe pattern, ANSI 150, UL	1
RD90G-21-100	90G-21 pressure reducing valve, 100mm, globe pattern, ANSI 150, UL	1
RD90G-21-150	90G-21 pressure reducing valve, 150mm, globe pattern, ANSI 150, UL	1
RD90G-21-200	90G-21 pressure reducing valve, 200mm, globe pattern, ANSI 150, UL	1
RD90A-21-080	90A-21 pressure reducing valve, 80mm, angle pattern, ANSI 150, UL	1
RD90A-21-100	90A-21 pressure reducing valve, 100mm, angle pattern, ANSI 150, UL	1
RD90A-21-150	90A-21 pressure reducing valve, 150mm, angle pattern, ANSI 150, UL	1
RD90A-21-200	90A-21 pressure reducing valve, 200mm, angle pattern, ANSI 150, UL	1



CLA-VAL PRESSURE RELIEF VALVES (MODEL 50B-4KG1)

- Globe or Angle Pattern
- FM Approved, UL Listed
- Fast Opening to Maintain Steady Line Pressure
- Accommodates Wide Range of Flow Rates
- Closes Gradually for Surge-Free Operation
- Adjustable Pressure Settings, Not Affected by Pressure At Valve Discharge

PART NUMBER	DESCRIPTION	BOX QTY
Datasheet No 1.26		
RD50B-4KG1-080	50B-4KG1 pressure relief valve, 80mm, globe pattern, ANSI 150, FM/UL	1
RD50B-4KG1-100	50B-4KG1 pressure relief valve, 100mm, globe pattern, ANSI 150, FM/UL	1
RD50B-4KG1-150	50B-4KG1 pressure relief valve, 150mm, globe pattern, ANSI 150, FM/UL	1
RD50B-4KG1-200	50B-4KG1 pressure relief valve, 200mm, globe pattern, ANSI 150, FM/UL	1
RD2050B-4KG1-080	2050B-4KG1 pressure relief valve, 80mm, angle pattern, ANSI 150, FM/UL	1
RD2050B-4KG1-100	2050B-4KG1 pressure relief valve, 100mm, angle pattern, ANSI 150, FM/UL	1
RD2050B-4KG1-150	2050B-4KG1 pressure relief valve, 150mm, angle pattern, ANSI 150, FM/UL	1
RD2050B-4KG1-200	2050B-4KG1 pressure relief valve, 200mm, angle pattern, ANSI 150, FM/UL	1



CLA-VAL DELUGE VALVE (MODEL 134-05)

- Globe or Angle Pattern
- UL Listed
- Threaded, Grooved and Flanged available

PART NUMBER	DESCRIPTION	BOX QTY
Datasheet No		
RDDV134-05/080F	3" (80mm) Model 134-05 Deluge valve, UL	1
RDDV134-05/100F	4" (100mm) Model 134-05 Deluge valve, UL	1
RDDV134-05/150F	6" (150mm) Model 134-05 Deluge valve, UL	1



DRY BARREL FIRE HYDRANT (RD-FM1510)

- FM approved
- Valves comply with AWWA C502.
- Working pressure 250 PSI.
- Working temperature 0.6 °C to 52 °C.
- Available flanged inlet, ANSI or PN16.
- Seating type is resilient material to bronze seat construction.
- One pump nozzle, 4.5-4NH thread. Two hose nozzle, 2.5-7.5NH thread. Other size thread is available.
- 6" mechanical joint designed to ANSI/AWWA C153/A21.53.

PART NUMBER	DESCRIPTION	BOX QTY
Datasheet No 12.05		
RDFM1510-915	30" Dry Barrel Fire Hydrant, fig1510, 3 way bury depth, FM Approved	1
RDFM1510-1007	42" Dry Barrel Fire Hydrant, fig1510, 3 way bury depth, FM Approved	1
RDFM1510-1220	48" Dry Barrel Fire Hydrant, fig1510, 3 way bury depth, FM Approved	1
RDFM1510-1372	54" Dry Barrel Fire Hydrant, fig1510, 3 way bury depth, FM Approved	1
RDFM1510-1524	60" Dry Barrel Fire Hydrant, fig1510, 3 way bury depth, FM Approved	1
RDFM1510-1076	66" Dry Barrel Fire Hydrant, fig1510, 3 way bury depth, FM Approved	1
RDFM1510-1824	72" Dry Barrel Fire Hydrant, fig1510, 3 way bury depth, FM Approved	1



DRY / WET RISER CABINETS

- Dry & Wet Riser Cabinets
- Inlet & outlet cabinets
- Red Ral 3002 & stainless steel finish
- Cold rolled low carbon steel
- 6mm Georgian Wired
- Yale Slam Lock Keyed Alike
- Stainless Steel Piano hinge
- Bespoke cabinets on request

PART NUMBER	DESCRIPTION	BOX QTY
Datasheet No		
DRC004	Vertical outlet cabinet for landing valves (Architrave & Door type) Red RAL 3002 (630mm x 460mm x 80mm)	1
DRC005	Vertical outlet cabinet for landing valves (Architrave & Door type) stainless steel (630mm x 460mm x 80mm)	1
DRC008	Vertical outlet Cabinet for landing valves (Full cabinet type) red RAL 3002, (630mm x 460mm x 275mm)	1
DRC009	Vertical outlet Cabinet for landing valves (Full cabinet type) stainless steel (630mm x 460mm x 275mm)	1
DRC001	Vertical Inlet cabinet for 2 way inlet breeching valve (Architrave & door type) Red RAL 3002 (595mm x 395mm x 80mm)	1
DRC007	Vertical Inlet cabinet for 2 way inlet breeching valve (Architrave & door type) stainless steel (595mm x 395mm x 80mm)	1
DRC002	Vertical Inlet cabinet for 2 way inlet breeching valve (Full cabinet type) Red RAL 3002 (595mm x 395mm x 295mm)	1
DRC003	Vertical Inlet cabinet for 2 way inlet breeching valve (Full cabinet type) Stainless steel (595mm x 395mm x 295mm)	1
DRC010	Horizontal Inlet cabinet for 2 way inlet breeching valve (Full cabinet type) Red RAL 3002 (395mm x 595mm x 295mm)	1
DRC011	Horizontal Inlet cabinet for 2 way inlet breeching valve (Full cabinet type) Stainless steel (395mm x 595mm x 295mm)	1
DRC006	Square Inlet Cabinet for 4 way inlet breeching valve (Full cabinet type) Red RAL 3002 (595mm x 595mm x 295mm)	1
DRC013	Square Inlet Cabinet for 4 way inlet breeching valve (Full cabinet type) stainless steel (595mm x 595mm x 295mm)	1
DRC004W	Vertical Outlet cabinet for PRV Wet riser valve (Architrave & Door type) Red RAL 3002 (630mm x 460mm x 80mm)	1
DRC005W	Vertical Outlet cabinet for PRV Wet riser valve (Architrave & Door type) stainless steel (630mm x 460mm x 80mm)	1
DRC008W	Vertical outlet Cabinet for landing valves (Full cabinet type) red RAL 3002, (630mm x 460mm x 275mm)	1
DRC009W	Vertical outlet Cabinet for landing valves (full cabinet type) stainless steel (630mm x 460mm x 275mm)	1



DRY & WET RISER VALVES

- Breaching Inlet valves,
- 2 and 4 way to BS5041
- Landing Valve,
- Flanged and threaded to BS5041
- Air Release Valves

PART NUMBER	DESCRIPTION	BOX QTY
Datasheet No		
DRV008	2-Way Inlet Breaching Valve, PN16 flange	1
DRVD008	2-Way Inlet Breaching Valve, Table D flange	1
DRV009	4-Way Inlet Breaching Valve, PN16 flange	1
DRVD009	4-Way Inlet Breaching Valve, Table D flange	1
DRARV	Automatic Air Release Valve, 25mm	1
DRV002	Dry Riser Landing Valve Flanged, PN16 flange	1
DRV002D	Dry Riser Landing Valve Flanged, Table D flange	1
DRV006	Dry Riser Landing Valve, Male BSP threaded	1
DRV007	Dry Riser Landing Valve, Female BSP Threaded	1
DRV003	Dry riser landing valve, right angled pattern, PN16 flange	1
DRV004	Dry riser landing valve, oblique pattern, PN16 flange	1
DRV010	PRV BS9990 - Wet Riser Pressure Regulating Valve, PN25 flange	1
DRV020	PRV BS9990 - Wet Riser Pressure Regulating Valve, PN40 flange	1



GROOVED COUPLINGS FOR DRY / WET RISER

- Galvanised Grooved Couplings
- Rigid Couplings
- Equal Tees
- Pitcher Tee
- 90°, 45°, 22.5°, 11.25° Elbows
- Flange Adaptors
- End Caps

PART NUMBER	DESCRIPTION	BOX QTY
Datasheet No		
DRG001	4" Grooved / Grooved Rigid Couplings, Galvanised	1
DRG005	4" Grooved Equal Tee, Galvanised	1
DRG009	4" Grooved x 4" grooved x 2 1/2" BSP thread, Pitcher Tee, Galvanised	1
DRG002	4" Grooved 90° Elbow, Galvanised	1
DRG003	4" Grooved 45° Elbow, Galvanised	1
DRG006	4" Grooved 22.5° Elbow, Galvanised	1
DRG007	4" Grooved 11.25° Elbow, Galvanised	1
DRG004	4" Flange Adaptors for inlet breeching valves galvanised	1
DRG008	4" Grooved End Cap c/w 1" BSP hole for Air release valve (concentric) Galvanised	1
DRG010	4" Grooved End Cap c/w 1" BSP hole for Air release valve (eccentric) Galvanised	1



DRY & WET ACCESSORIES

- Dry & wet riser accessories includes:
- Spare glass, support bracketry, cap and chains and locks and keys.

PART NUMBER	DESCRIPTION	BOX QTY
Datasheet No		
DRP012	1" Drain Valve, BSPT thread	1
DRP014	Instantaneous Valve Washers	1
DRP008	Replacement hand wheel for landing valves	1
DRP010	Replacement male Cap & Chain for Inlet Breeching Valve	1
DRP011	Replacement Female Cap & Chain for Inlet Breeching Valve	1
DRP009	Replacement Female Cap & Chain for Drain Valve	1
DRP003	Leather Strap 16"	1
RDPAD20	Pad lock & Keys	1
DRP002	Wall Loop Bracket, Galvanised	1
DRP001	Floor Loop Bracket, Galvanised	1
DRP005	Replacement Georgian Glass for Horizontal inlet Cabinets	1
DRP006	Replacement Georgian Glass for Vertical outlet Cabinets	1
DRP007	Replacement Lock & Key for all cabinets	1
DRP017	Replacement Georgian Glass for	1

FLANGE JOINT SETS & GASKETS

- Flange joint sets to suit Gate Valves and Landing Valves



PART NUMBER	DESCRIPTION	BOX QTY
Datasheet No		
RDFJS065	65mm flange joint set PN16 (set includes gasket, nuts, bolts & washers to suit DRV002 landing valve)	1
RDFJS065TD	65mm flange joint set, Table D (set includes gasket, nuts, bolts & washers to suit DRV002 landing valve)	1
RDFJS100	100mm flange joint set (set includes gasket, nuts, bolts & washers)	1
RDFJS100TD	100mm flange joint set Table D (set includes gasket, nuts, bolts & washers)	1
RDFJS150	150mm flange joint set PN16 (set includes gasket, nuts, bolts & washers)	1
RDGASKET065	65mm gasket to suit DRV002 landing valves, PN16	1
RDGASKET065TD	65mm gasket to suit DRV002D landing valves, table D flange	1
RDGASKET100	100mm gasket to suit DRV008 inlet breeching valves, PN16	1
RDGASKET100TD	100mm gasket to suit DRV008D inlet breeching valves, Table D flange	1

International Heat Units

DN	Celsius °C	Kelvin °K	Fahrenheit °F	Réaumur °R
Celsius (°C)	1	K -273,16	0,555 x (°F -32)	1,25 x °R
Kelvin (°K)	°C + 273,16	1	0,555 x (°F + 459,68)	1,25 x (°R+ 218,53)
Fahrenheit (°F)	1,8 x °C + 32	1,8 x K -459,68	1	2,25 x °R + 32
Réaumur (°R)	0,8 x °C	0,8 x K -218,53	0,444 x (°F -32)	1

Measurement Units

DN	millimetre mm	centimetre cm	metre m	kilometre km	foot ft	inch in	mile mi
mm	1	0.1	0.001	10 ⁻⁶	3,28 x 10 ⁻³	0,03937	6,21 x 10 ⁻⁷
cm	10	1	0,01	10 ⁻⁵	0,032808	0,3937	6,21 x 10 ⁻⁶
m	1000	100	1	0,001	3,2808	39,37	6,21 x 10 ⁻⁴
km	10 ⁶	10 ⁵	1000	1	3280,8	39370	0,621
ft	304,8	30,48	0,3048	0,0003048	1	12	1,89 x 10 ⁻⁴
in	25,4	2,54	0,0254	2,54 x 10 ⁻⁵	0,0833	1	1,577 x 10 ⁻⁵
mi	1,609 x 10 ⁶	160934	1609,34	1,60934	5279,9	63359,8	1

Weight Units

	Gram (g)	Kilogram (kg)	Ton (t)	Pounds (lb)	Ounces (oz)	Grain (gr)
Gram (g)	1	0,001	10 ⁻⁶	0,0022	0,035	15,432
Kilogram (kg)	1000	1	0,001	2,205	35,27	15432
Ton (t)	10 ⁶	1000	1	2204,6	35273	1,5432 x 10 ⁷
Pounds (lb)	453,6	0,4536	0,4536 x 10 ⁻³	1	16	7000
Ounces (oz)	28,35	0,02835	0,2835 x 10 ⁻⁴	0,0625	1	437,5
Grain (gr)	0,0648	0,648 x 10 ⁻⁴	0,648 x 10 ⁻⁷	1,428 x 10 ⁻⁴	0,00228	1



Rapidrop Global Ltd



Rapidrop: A Global company, British manufactured

British based manufacturer of fire sprinkler system products with international sales and distribution serving the needs of the fire detection and suppression industry worldwide.

Europe	Saudi Arabia	Middle East & North Africa
<p>Rapidrop Global Ltd Head Office Rutland Business Park Newark Road Peterborough PE1 5WA United Kingdom</p> <p>Telephone: +44 (0)1733 847 510 Facsimile: +44 (0)1733 553 958 E-mail: rapidrop@rapidrop.com</p>	<p>Rapidrop Middle East Trading LLC P.O Box 232031 Dubai - UAE Telephone: +971 4 8856671 Facsimile: +971 4 8856672 Sharjah - Sales Office Telephone : +971 6 5562669 Abu Dhabi - Sales Office Telephone : + 971 2 5528228 E-mail: uae@rapidrop.com</p>	<p>Rapidrop International P.O Box 232031 Dubai - UAE Telephone: +971 6 566 2773 Facsimile: +971 4 8856672 E-mail: rdi@rapidrop.com</p>
Qatar	India	International
<p>Rapidrop Qatar LLC P.O.Box 17481 Doha Qatar</p> <p>Telephone: +974 4 0161484/482 Facsimile: +974 4 0161483 E-mail: uae@rapidrop.com</p>	<p>Rapidrop India Pvt Ltd Level 13, Office No. 1348 Platinum Techno Park Plot No.17/18, Sector -30A Vashi, Navi Mumbai, 400705 India</p> <p>Telephone: +91 22 61818348 Facsimile: +91 22 61214952 E-mail: rapidrop@rapidrop.com</p>	<p>Sales Office Imam Saud Road Cross Abu Berker Aj Siddiq PO BOX 54092 Riyadh 11514 Kingdom of Saudi Arabia</p> <p>Telephone: +966 5569 80094 E-mail: saudi@rapidrop.com</p>
South Africa	Approvals	Social Media
<p>Rapidrop Global Ltd Talanalaan 281 Villieria Pretoria 0186 South-Africa</p> <p>Telephone: +27(0)727601627</p>	<p>The Rapidrop range includes products which have internationally recognised approvals and listings from FM/UL/VDS and LPCB.</p> <p>    </p> <p><small>Assessed to ISO 9001:2008 Cert/LPCB ref. 556</small></p>	<p>www.rapidrop.com</p> <p>   </p>

201801